

VACUUM - Vuoto



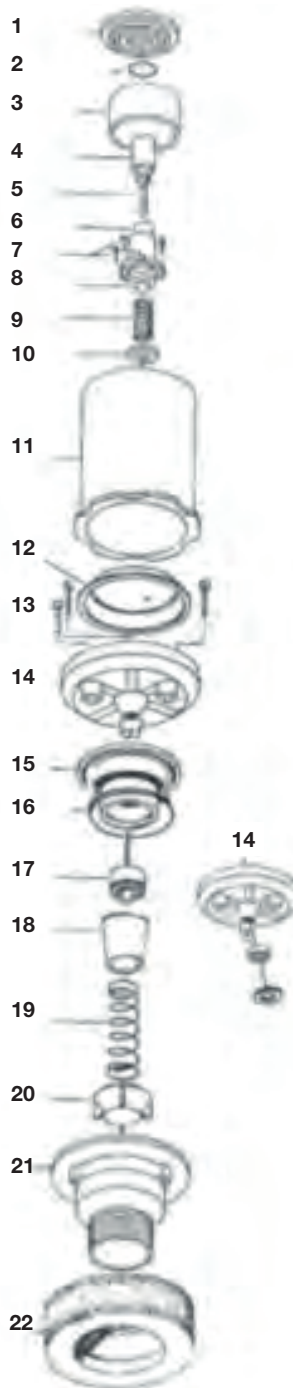
## VACUUM REGULATORS - VALVOLE REGOLAZIONE VUOTO



**20070200**  
**SENTINEL MARK II**  
**VACUUM REGULATOR,**  
**4000 LT/MIN**

Valvola regolazione vuoto  
sentinel MARK II, 4000 lt/min

ART	REF.	DES.
3	20070203	<b>UPPER FILTER</b> Filtro superiore
12	20070212	<b>DIAPHRAGM</b> Membrana
14	20070214	<b>FLANGE ASSEMBLY</b> Kit flangia
16	20070216	<b>OUTLET SEAL</b> Guarnizione uscita
18	20070218	<b>GASKET</b> Guarnizione
19	20070219	<b>SPRING</b> Molla
21	20070221	<b>OUTLET BODY</b> Corpo uscita
22	20070222	<b>AIR FILTER</b> Filtro aria



**20070223**  
**EXTERNAL AIR FILTER**  
Filtro esterno aria



**00666600**  
**VACUUM REGULATOR 3500 LT,**  
**FITTING FW SERVAC**  
**REF. 045263**

Valvola regolazione vuoto 3500 LT,  
compatibile con FW SERVAC  
ART. 045263



**00676700**  
**VACUUM REGULATOR 7000 LT,**  
**FITTING FW SERVAC REF. 045219**

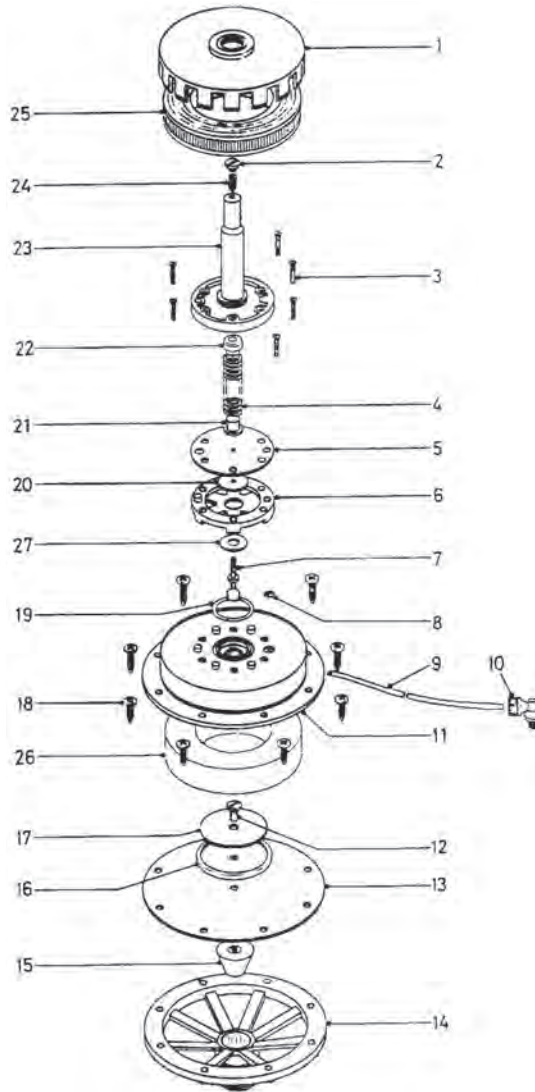
Valvola regolazione vuoto 7000 lt,  
compatibile con FW SERVAC  
art. 045219

**20180406**  
**RILSAN TUBE 4x6**  
Tubo Rilsan 4x6



**00100248**  
**ORIGINAL SERVAC**  
**"FULLWOOD"**  
**VACUUM REGULATOR**  
**3.500 LT. (conn. 1")**

Valvola regolazione vuoto originale "FULLWOOD" 3.500 LT. (conn. 1")



**00111248**  
**ORIGINAL SERVAC**  
**"FULLWOOD"**  
**VACUUM**  
**REGULATOR 7.000 LT.**

Valvola regolazione vuoto originale "FULLWOOD" 7.000 LT



**AIR FILTRATION SYSTEM**  
**FOR "FULLWOOD" VACUUM**  
**REGULATORS**

Sistema di filtraggio aria per valvole "FULLWOOD"

- 00111249**  
**Filter housing / Contenitore per filtro**  
valvola
- 00111250**  
**Clean air filter for valve / Filtro aria**  
pulita per valvola

ART	REF
1	00100249
2	00100250
3	00100251
4	00100252
5	00100253
6	00100254
7	00100255
8	00100256
9-10	00100257

ART	REF
11	00100258
12	00100259
13	00100260
14	00100261
15	00100262
16	00100263
17	00100264
18	00100265
19	00100266

ART	REF
20	00100267
21	00100268
22	00100269
23	00100270
24	00100271
25	00100272
26	00100273
27	00100274



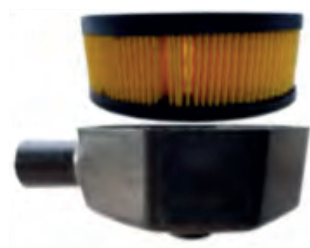
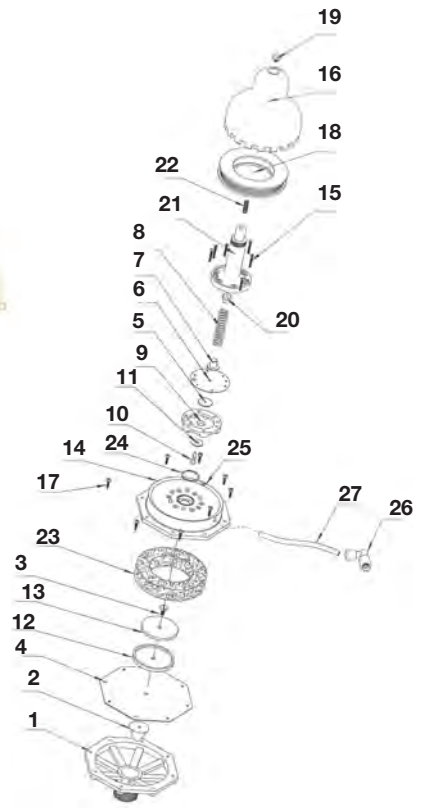
**20090050**  
**"YUVAC" 7000 LT. VACUUM REGULATOR**

Valvola regolazione vuoto "YUVAC" 7.000 LT.



**00100672**  
**"YUVAC" 3500 LT. VACUUM REGULATOR**

Valvola regolazione vuoto "YUVAC" 3.500 LT.



00111698  
 00111699



**00800294**  
**VACUUM VALVE FITT. VF20**  
 Valvola reg. Vuoto tipo VF20

ART	REF	ART	REF	ART	REF
		10	00111680	20	00111690
1	00111671	11	00111681	21	00111691
2	00111672	12	00111682	22	00111692
3	00111673	13	00111683	23	00111693
4	00111674	14	00111684	24	00111694
5	00111675	15	00111685	25	00111695
6	00111676	16	00111686	26	00111696
7	00111677	17	00111687	27	00111697
8	00111678	18	00111688		
9	00111679	19	00111689		





**00100760**  
**PL3500**  
**VACUUM REGULATOR**

Valvola regolazione vuoto PL 3500

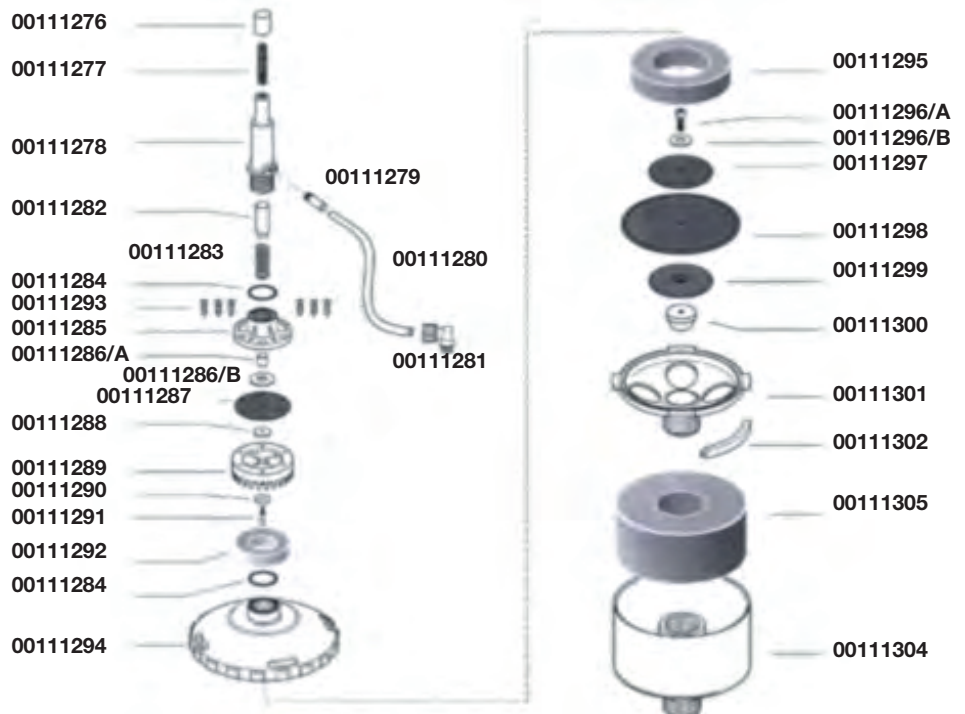
00111770 AIR FILTER - Filtro aria

00111774 DIAPHRAGM - Membrana



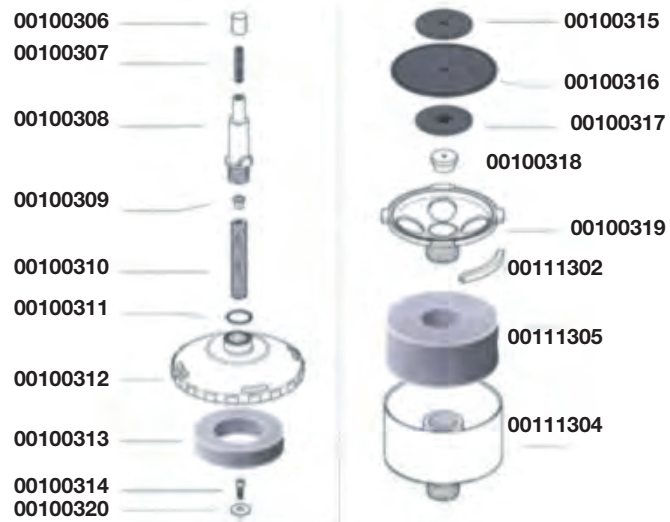
**00111275**  
**VACUUM REGULATOR**  
**WITH PRE-AIR FILTER**  
**L/MIN. 50/3.500**

Valvola regolazione vuoto con  
filtro aria incorporato L/MIN. 50-  
3.500



**00100305**  
**VACUUM**  
**REGULATOR**  
**WITH PRE-AIR**  
**FILTER**  
**L/MIN. 20-400**

Valvola regolazione  
vuoto con filtro aria  
incorporato  
l/min. 20/400



**STABILVAC BY INTERPULS**



**00100067**  
**PLASTIC SPRING VACUUM REGULATOR 3/4"**  
 Valvola regolazione vuoto a molla plastica 3/4"



**5049001**  
**SPRING VACUUM REGULATOR**  
 Valvola regolazione vuoto a molla  
 1", 500 L/MIN



**5019007**  
**1500 MONOBLOCK**  
**5019008**  
**3600 MONOBLOCK**

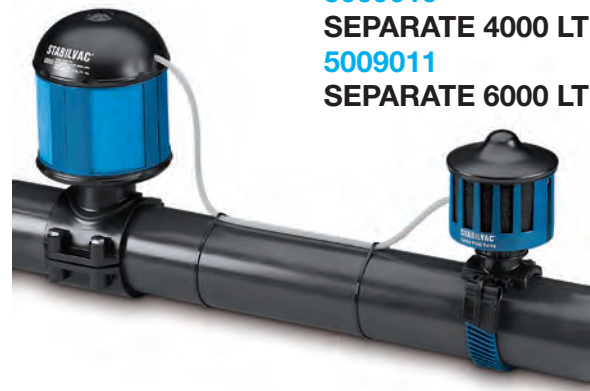


**5019011**  
**3600 SEPARATE**

**STABILVAC 4000-6000**



**5009008**  
**MONOBLOCK 4000 LT**  
**5009009**  
**MONOBLOCK 6000 LT**



**5009010**  
**SEPARATE 4000 LT**  
**5009011**  
**SEPARATE 6000 LT**



**3420013**  
**DRAIN VALVE 1/2" - THREAD PART**  
**3420014**  
**DRAIN VALVE 3/4" - THREAD PART**

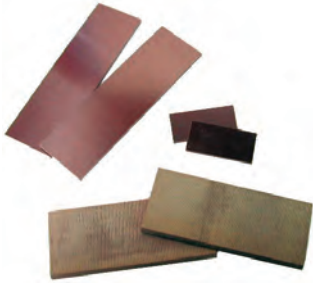


ART.	REF.	DES.
1	00100164	<b>FILTER INSERT FITTING WF COMMANDER</b> (7750-0213-851) Cartuccia filtrante per Commander adatt. WF (7750-0213-851)
2	00100165	<b>SPONGE FILTER FOR COMMANDER VALVE FITT. WF</b> (7750-0213-854) Filtro spugna per valvola Commander adatt. WF (7750-0213-854)
3	00765400	<b>LOWER DIAPHRAGM FOR COMMANDER VALVE</b> (CORR. 7750-0013-851) Membrana inferiore valvola Commander (CORR. 7750-0013-851)
4	00765500	<b>UPPER SILICONE DIAPHRAGM FOR COMMANDER VALVE</b> (CORR. 7750-0013-858) Membrana silicone superiore per valvola Commander (CORR. 7750-0013-858)
5	00300112	<b>SPONGE FILTER FOR VACUREX VALVE, FITT. WF</b> (7049-2799-000), M. 113x56x14 Filtro spugna per valvola Vacurex adatt. WF (7049-2799-000), misure 113x56x14
6	20090191	<b>VRS SPONGE FILTER</b> (CORR. 967989-02) Filtro VRS (corr. 967989-02)
7	20070512	<b>BIG BRASS VACUUM REGULATOR 1"</b> Valvola regolazione vuoto in ottone 1"
8	00100068	<b>BRASS SPRING VACUUM REGULATOR 3/4"</b> Valvola regolazione vuoto a molla ottone 3/4"

ART.	REF.	DES.
9	00400678	<b>SEAL FOR WF RPS 2800</b> Anello tenuta per WF RPS 2800
10	00400679	<b>BEARING FOR WF RPS 2800</b> Cuscinetto per WF RPS 2800
11	00762500	<b>DIAPHRAGM VRM 1500-2500-4000</b> (CORR. 95927502) Membrana VRM 1500-2500-4000 (CORR. 95927502)
12	00100377	<b>SPONGE FILTER MVR (CORR. 92923580)</b> Filtro spugna MVR (CORR. 92923580)
13	20160441	<b>VRS SPRING (molla)</b> corr. 96432201
14	88833350	<b>GASKET FOR VRS VALVE (CORR. 96432101)</b> Guarnizione valvola VRS (CORR. 96432101)
15	00800510	<b>MVR-M 2000 HOURS ASSISTANCE KIT</b> MVR-M kit assistenza 2000 ore CORR. 92923581
16	00800514	<b>DIAPHRAGM FOR VACUREX</b> Membrana per VACUREX CORR. 7047-1702-000
17	00800515	<b>DIAPHRAGM WITH AIR NOZZLE FOR VACUREX</b> Membrana con ugello aria per VACUREX CORR. 7047-1703-000
18	00300034	<b>AIR FILTER</b> Filtro aria (DAIRYMASTER) REF. 10460038 (RE 200)



## FIBRE VANES - PALETTE IN FIBRA



### DL

00100111	VP 18	120x40x4,6
20180022	DVP340	80x30x3
00100112	VP 74	82,5x48,8x4,6
00100113	VP 76	152,3x48,8x4,6
00100114	VP 77	199,9x60,3x5,3
00100115	VP 78	203x76x6,2

### FULLWOOD

00100116	FR 2	117,5x44,5x4,5
00100117	FR 3	181x44,5x4,5
00100118	FR 4	278x44,5x4,5
00300227	Q4 (041114)	280X65X4,4
00300228	Q3	179.7X64X4.7

### GASCOIGNE-MELOTTÉ

00100119	A Pump	127,6x23,6x4,5
00100120	B Pump	168,3x23,6x4,5
00100121	C Pump	168,3x31,6x4,5
00100122	D Pump	195,1x44,4x6,1

00100123	PV 1	120x40x6
----------	------	----------

00100125	PV 3	195x40x6
----------	------	----------

00100126	PV 3B	195x55x6
----------	-------	----------

### IMPULSA

20080996		150x44x4
----------	--	----------

20080997		200x44x4
----------	--	----------

### MANOVAC

20090034	350 LT	120x40x5
----------	--------	----------

20090035	700 LT	200x45x5
----------	--------	----------

20090036	1000 LT	220x50x5
----------	---------	----------

20090037	1500/2000 LT	300x65x5
----------	--------------	----------

### MS

00100112	PV 500	82,5x48,8x4,6
----------	--------	---------------

00100113	PV 1000	152,3x48,8x4,6
----------	---------	----------------

### SAC

00100129	600 ltr	82,4x51,1x4,7
----------	---------	---------------

00100130	1000 ltr.	152,4x51,1x4,7
----------	-----------	----------------

00100131	1350 ltr.	152,3x51,1x4,9
----------	-----------	----------------

00100132	1600 ltr.	225,5x49,1x4,7
----------	-----------	----------------

### TECNOZOO

00111138	PV900	125x67x5,8
----------	-------	------------

00111139	PV1200	160x67x5,8
----------	--------	------------

00111140	PV1500	220x67x5,8
----------	--------	------------

00111141	PV3000	270x67x5,8
----------	--------	------------

### WF

00100133	RPS 5	50x33x4,9
----------	-------	-----------

00100134	RPS 7	70x33x4,9
----------	-------	-----------

00100135	RPS 10	100x33x4,9
----------	--------	------------

00100136	RPS 15 + RPS CORR. 7048-9926-060 600/700/800	150x33x4,9
----------	--	------------

00100137	RPS 20	200x33x4,9
----------	--------	------------

20070110	RPS 1500-2100 CORR. 7043-9926-040 NEW MODEL	280x65x5
----------	---	----------

20070111	RPS 1200 CORR. 7049-9926-120	200x41,5x4,9
----------	---------------------------------	--------------

00100636	RPS 1500/ CORR. 7050-9926-030 2000/2800	320,4X80X7.95
----------	---	---------------

00100637	RPS 360/400 CORR. 7047-9926-010	100X41.5X5
----------	------------------------------------	------------

00300224	RPS 2800+ CORR. 7750-0212-507 (7050-9926-040) (RPS 1500/2000 OLD MODEL)	325X80X7.9
----------	---	------------

### VARIE

00100638		82,5x50,8x5
----------	--	-------------

00100639		152,4x50,8x5
----------	--	--------------

00300087		180x60x4.5
----------	--	------------

00100894		181x44,5x4,5
----------	--	--------------

20070112		279,5x65x4 (1200 Dairymaster)
----------	--	----------------------------------

## KEVLAR VANES - PALETTE IN KEVLAR



### CTA MILK

00111069	GPV 3300	289x87x5.5
----------	----------	------------

00111070	GPV 3000	215x68x8
----------	----------	----------

00111071	GPV 2000	145x68x8
----------	----------	----------

00111072	GPV 2200	245x65x5.5
----------	----------	------------

00111073	GPV 1500	164x65x5.5
----------	----------	------------

00111074	GPV 1000	164x50x5.5
----------	----------	------------

00111075	GPV 750	82x65x5.5
----------	---------	-----------

00111076	GPV 500	82x50x5.5
----------	---------	-----------

00111077	GPV 350	120x45x5
----------	---------	----------

00111078	GPV 250	120x40x4.9
----------	---------	------------

00111079	GPV 280	65x50x5.5
----------	---------	-----------

### DAIRYMASTER

00300557	DMS	279x64x7x4.7
----------	-----	--------------

00300558	DMS8	259x79.7x5.9
----------	------	--------------

### DELAVAL

00300530	VP74 (90638581)	82.5x48.8x4.6
----------	-----------------	---------------

00300531	VP76 (90638582)	152.3x48.8x4.6
----------	-----------------	----------------

00300532	VP77 (90638583)	199.9x60.x5.3
----------	-----------------	---------------

00300533	VP78 (90638584)	203x76x6.2
----------	-----------------	------------

00300540	DVP 800 (90647080)	150x47x4.78
----------	--------------------	-------------

00300541	DVP 1200 (90647081)	155x47x4.78
----------	---------------------	-------------

00300542	DVP 1600 (90647082)	200x47x4.8
----------	---------------------	------------

00300543	DVP 2300 (90647083)	283x47x4.8
----------	---------------------	------------

### MILKLINE

00300568	PM12-HP12	140x65x6
----------	-----------	----------

00300569	PM16-HP16	200x65x6
----------	-----------	----------

00300570	PM10-HP10	100x65x6
----------	-----------	----------

00300571	PM9-HP9	70x65x6
----------	---------	---------

00300572	PM8	80x33x6
----------	-----	---------

00300573	PM20-HP20	145x65x8
----------	-----------	----------

00300574	PM3L	55x37x5
----------	------	---------

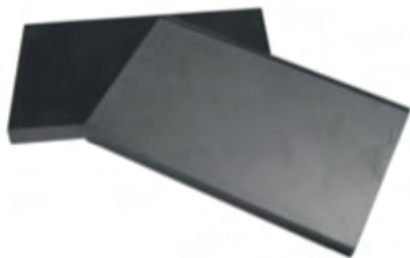
00300575	PM30-HP30	217x65x8
----------	-----------	----------

00300576	PM5L/PM6	60x51x6
----------	----------	---------

00300577	HP21	300x65x6
----------	------	----------



## GRAPHITE VANES - PALETTE IN GRAFITE



00100096	50x33x5	DL VP4/5	00100100	65x30x5	L'Italiana	00121206	70x43x6	Minerva
00111194	50x40x4	Miele	00111101	65x40x5		20080992	70x44x5	Milkline 190 PM4 old
00100097	55x30x5	L'Italiana	00121201	65x35x6		20080993	70x44x6	Milkline 190 PM4 new
20080990	55x33x5		00111198	65x42x5	O.M.C. - Mayfra	00100106	70x45x5	Tecnosac Salami
00111195	55x35x5		00111102	65x44x4,75	Tecnosac	00100107	70x45x6	Manovac CTA - lerre
20080991	55x37x5	Milkline 140 PM3	00112028	65x44,5x4,8		00121207	70x45x5,9	B.C.F. RV180
00111193	55x38x5	L'Italiana	00400066	65x45x4,8	Tecnosac	00100108	70x46x6	O.M.C.
00121293	60x35x6		00100101	65x45x5	Tecnosac	20080995	75x41,7x5	Impulsa
00121298	60x36x4,9	B.C.F.	00100102	65x45x6		20080999	76x36x5	
20080998	60x37x5		00100103	65x50x6	CTA	00111201	76x43x4	Miele
00100098	60x40x5	DL VP9 Euomilk	00111199	66x45x6		20080994	80x41x5	
00300019	60x42x5		00111200	68x40x4	Miele	00100109	80x42x5	
00300020	60x45x5		00121203	70x36x4,9	B.C.F. RV80	00121294	80x45x5	
00111197	60x45x6		00121204	70x37x5		20080989	80x45x6	Milkline PM8P
20080988	60x52,5x6	Milkline 250 PM5	00112024	70x40x5	lerre-CTA GPV180 70080010	00100110	85x41,7x5	WF (RPT1)
00100099	60x52,5x6	CTA	00100104	70x41,7x5	WF	00121210	85x45x5	
00111196	62x45x6		00121205	70x42x5	O.M.C.	00121211	100x45x5	Salami
00112027	64x44x4,8	Tecnosac	20080976	70x42,5x5	Interpuls (6100005)	00111202	120x40x4,9	CTA
			00100105	70x43x5		00121295	120x45x5	

### 00670694

#### 3" CLEAN AIR LINE FILTER (ORIGINAL BY FULLWOOD)

Filtro aria per linea del vuoto 3" (originale FULLWOOD)



### 00800143

#### PLUG FOR VP76 PUMP, CORR. 96151701

Tappo pompa VP76 CORR. 96151701



### 00800120

#### ORS FILTER KIT

Kit filtro ORS

CORR. 90525480



### 00400307

#### COUPLING VP70

Giunto di accoppiamento VP70

CORR. 96122580



## VACUUM TANK- SERBATOIO DEL VUOTO



1



2



3

1 00100180

IN PLASTIC - In plastica

1 00300785

TANK WINDOW WITH SCREW - Portellina serbatoio con vite

1 00300786

GASKET FOR WINDOW - Guarnizione portellina serbatoio

2 00100987

GALVANIZED 60 LT - Zincato LT. 60 FITT. DL VP 74/76 (RIF. 959949-82)

3 00111987

LID FOR 00100987 (3x75mm) - Coperchio per 00100987 (3x75mm)

## DL VACUUM TANK- SERBATOIO DEL VUOTO DL



**00100177**

**LID WITH PIPE**

Coperchio con tubo

Corr. 95866502  
(VP9/VP18)



**00100178**

**LID WITHOUT PIPE**

Coperchio senza tubo

Corr. 95178201  
(VP9/VP18)



**20095945**

**GASKET**

Guarnizione  
Corr. 95178301



**00600122**

**PVC VACUUM TANK COMPLETE WITH ACCESSORIES**

**33 LT. CAPACITY - PIPES Ø 60**

Serbatoio del vuoto in pvc completo di accessori, capacità 33 lt. - Entrate ø 60  
Corr. 96705980

**00611123**

**COMPLETE LID - Coperchio completo**

00600124

00600129

00600128

00600125

00600126

00600127



**00611122**

**PVC VACUUM TANK**

**33 LT PIPES Ø 90**

Serbatoio del vuoto in pvc 33 lt tubi ø 90

**00611126**

**LID - Coperchio**

**00611127**

**CAGE - Gabbietta**

**00611128**

**FLOAT - Galleggiante**



**00611124**

**COMPLETE LID FOR VACUUM TANK WITH Ø90 INLETS**

Coperchio completo per serbatoio del vuoto con entrate ø90



**67880000**  
**PVC VACUUM TANK COMPLETE WITH ACCESSORIES 25 LT. - INLETS Ø 75**

Serbatoio del vuoto in pvc completo di accessori, capacità 25 lt. - entrate ø 75

67880001	PLASTIC LID - Coperchio plastica
20091002	GASKET FOR LID - Guarnizione coperchio
67880002	CAGE - Gabbietta
67880003	FLOATING BALL - Sfera galleggiante
20091003	PLASTIC TANK - Serbatoio plastica
20091004	DRAIN VALVE - Valvola di drenaggio

**S/S VESSEL LT. 70 DL STYLE** - Serbatoio inox lt. 70, tipo DL



- 70000770 Exit Ø 110
- 70000771 Exit Ø 90
- 70000772 Exit Ø 75
- 70000773 Cover 2 exit Ø 110
- 70000774 Cover 2 exit Ø 90
- 70000775 Cover 2 exit Ø 75
- 70000776 Silicone gasket - Guarnizione silicone corr. 95993901
- 70000777 Lower lid - Coperchio inferiore



**00800278**  
**RUBBER DRAIN VALVE**  
Valvola drenaggio in gomma

CORR. 96706301



**00800271**  
**RUBBER DRAIN VALVE**  
Valvola drenaggio gomma

CORR. 2761500

## VACUUM TANKS MADE IN BLADE COVERED WITH HOT ZINC SERBATOI DEL VUOTO DI BILANCIAMENTO IN LAMIERA ZINCATA A FUOCO

### VERTICAL

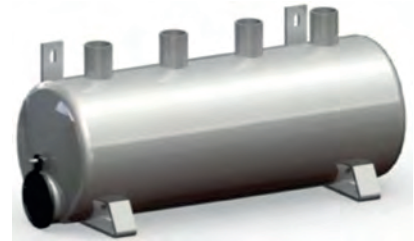


00100554 LT.110 - 3 EXITS OF 4"

00100555 LT.85 - 3 EXITS OF 3"

00100556 LT.65 - 3 EXITS OF 2" (picture)

00111556 LT.65 - 4 EXITS OF 2"



### HORIZONTAL

00100557 LT.110 - 4 EXITS OF 4"

00100558 LT.85 - 4 EXITS OF 3"

00100559 LT.65 - 4 EXITS OF 2" (picture)

## VACUUM GAUGES - VUOTOMETRI



### ECONOMIC TYPE (Tipo economico)

Ø 63 00100070 (1/4" BSP)

Ø 100 00100071 (1/2" BSP)



### S/S CAGE (Cassa inox)

Ø 63 00100595 (1/4" BSP)

Ø 100 00100596 (1/2" BSP)



### S/S CAGE WITH GLYCERINE (Cassa inox a bagno di glicerina)

Ø 63 00100597 (1/4" BSP)

Ø 100 00100598 (1/2" BSP)



### 00300011 VACUUM GAUGE Ø100, 1/2" THREAD, WITH METAL AND S/S CAGE. ADJUSTABLE POINTER

Vuotometro ø100, filetto 1/2" cassa in metallo ed acciaio, lancetta di riferimento regolabile



### ADJUSTABLE VACUUM GAUGE Ø 100

Vuotometro ø 100 regolabile

**20090032**

**WITH METAL CAGE 1/2" - BSP**

Con cassa in metallo 1/2" BSP

**20090033**

**WITH S/S CAGE 1/2" BSP**

Con cassa inox 1/2" BSP



### S/S VACUUM VESSEL Serbatoio del vuoto in acciaio

**20160276** - LT. 80

**20160277** - LT. 100





**70080014**

## PORTABLE MILKING MACHINE 2 S/S BUCKETS FOR COWS, 180 LT/MIN WITH ELECTROGALVANISED TANK

Mungitrice carrellata 2 secchi inox per vacche, 180 LT/MIN con serbatoio zincato

### ECONOMIC!



70080010

**1 CLUSTER FOR COWS, 1 S/S BUCKET LT. 25**  
1 gruppo vacche, 1 secchio inox lt. 25

70080011

**1 CLUSTER FOR COWS, 1 CLEAR BUCKET**  
1 gruppo vacche, 1 secchio trasp. Lt. 25

70080012

**2 CLUSTERS FOR SHEEP-GOATS, 2 CLUSTERS, 1 S/S BUCKET**  
2 gruppi capre-pecore, 1 secchio inox lt. 25

70080013

**2 CLUSTERS FOR SHEEP-GOATS, 1 CLEAR BUCKET**  
2 gruppi capre-pecore, 1 secchio trasp. Lt. 25

## PORTABLE MILKING MACHINE FOR SHEEP/GOATS MUNGITRICE CARRELLATA PER CAPRE/PECORE



### AM/SCK04

**2 CLEAR BUCKETS 25 LT AND 4 MILKING UNITS EQUIPPED WITH OIL VACUUM PUMP 350 LT (SINGLE PHASE ELECTRIC MOTOR)**

2 Secchi trasparenti lt. 25 e 4 gruppi mungitori dotata di pompa del vuoto da 350 lt a olio (motore monofase)

### AM/SCH04

**AS ABOVE WITH 2 S/S BUCKETS**

Come sopra con 2 secchi inox

## OIL VACUUM PUMP - POMPE VUOTO A OLIO



### NOTE:

- The PV pumps called "ONLY PUMP" are supplied only with pump, holding feet and oil brass nozzles
- PV (Vacuum Pumps) pumps "complete" are supplied with pulley, oiler, silencer, inlet manifold and non-return valve
- GPV (Group Vacuum Pump) pumps on base plate or bracket are supplied with everything
- GPV (Group Vacuum Pump) pumps without electric motor are supplied with everything except for the motor but they do have the motor pulley and the belt. When you make the order please specify the motor you are going to use with the pump in order to supply the right pulley. GPV 3300/2200 has oil/air separator and fan included
- Vacuum tanks are completely made in hot galvanized steel. The pumps are mounted on unvibrant brackets. On GPV 1500/1000/750/500 the separator is not included
- All the pumps follow EEC rules and have an instruction manual included inside the pump
- On each pump and on the manual you will always find a serial number, the model and the date of construction (useful for the guarantee)
- There is one year guarantee from the date printed on the manual and on the EEC label. The guarantee does not include faults due to a wrong installation or from using the pump for different purposes. Guarantee is limited to reparation or replacement of the defected spare part. Any case, the responsibility for secondary damages depending from stopping the machine is not included. All the electric parts are excluded from guarantee.
- All the GPV on vacuum tank has an internal filter included
- Vacuum tank exits: lt. 65 2"-63 mm - lt. 85 3"-90 mm - lt. 110 4" - 110 mm



### ANNOTAZIONI:

- Le pompe PV NUDE sono solo con la pompa, i piedini di supporto e i beccucci di ottone dell'olio
- Le pompe PV (solo Pompa Vuoto) sono comprese di puleggia, oliatore, silenziatore, manicotto entrata e valvola di non ritorno
- Le GPV (Gruppo Pompa Vuoto) su mensola o serbatoio sono comprese di tutto
- Le GPV (Gruppo Pompa Vuoto) senza motore, sono complete di tutto escluso motore, assieme vengono forniti la puleggia motore e la cinghia di trasmissione. Al momento dell'ordine delle GPV senza motore bisogna specificare il tipo di motore che si andrà ad installare, per fornire la giusta puleggia
- Nella GPV 3300/2200 viene incluso il separatore olio/aria e la ventola
- I serbatoi sono totalmente in acciaio zincato a caldo. Le pompe sono montate su mensole antivibranti. Per le GPV 1500/1000/750/500 il separatore è un supplemento
- Tutte le pompe del vuoto sono a norma CEE e vengono corredate di un manuale d'uso che troverete all'interno della macchina
- Sulle pompe e sul manuale è riportato il numero di serie, modello e data di costruzione (importante per la garanzia)
- La garanzia ha validità un anno dalla data del manuale e dalla data riportata sull'etichetta CEE. La garanzia non copre difetti causati da un'errata installazione o da un utilizzo diverso da quello previsto. La garanzia è limitata alla riparazione o sostituzione del particolare difettoso. È esclusa in ogni caso la responsabilità per danni accessori che possano dipendere dal fermo macchina. Tutte le parti elettriche sono escluse dalla garanzia
- Tutte le GPV su serbatoio sono incluse di filtro interno
- Uscite serbatoi: lt. 65 2"-63 mm - lt. 85 3"-90 mm - lt. 110 4" - 110 mm



**GPV 3300 WITH STANDARD OILER (CAPILLARY SYSTEM)**

GPV 3300 con oliatore normale (sistema capillare)

**GPV 3300 WITH DROPPING OILER (10 LT)**

GPV 3300 con oliatore a goccia (10 litri)

**GPV 2200 WITH STANDARD OILER (CAPILLARY SYSTEM)**

GPV 2200 con oliatore normale (sistema capillare)

70001300	<b>PV 3300 ONLY PUMP</b> (Solo pompa nuda)
70000300	<b>PV 3300 ONLY PUMP COMPLETE</b> (Solo pompa completa)
70000301	<b>GPV 3300 ON BASE PLATE</b> (su basamento) Hp. 7,5 - Lt/m 2700
70000302	<b>GPV 3300 ON BASE PLATE</b> (su basamento) Hp. 7,5 - Lt/m 2950
70000303	<b>GPV 3300 ON BASE PLATE</b> (su basamento) Hp. 10 - Lt/m 3300
70000304	<b>GPV 3300 ON BASE PLATE WITHOUT ELECTRIC MOTOR</b> (su basamento senza motore elettrico)
70000305	<b>GPV 3300 ON VACUUM TANK</b> (su serbatoio) lt. 110 Hp. 7,5 - Lt/m 2700
70000306	<b>GPV 3300 ON VACUUM TANK</b> (su serbatoio) lt. 110 Hp. 7,5 - Lt/m 2950
70000307*	<b>GPV 3300 ON VACUUM TANK</b> (su serbatoio) lt. 110 Hp. 10 - Lt/m 3300
70000308	<b>GPV 3300 ON VACUUM TANK WITHOUT ELECTRIC MOTOR</b> (su serbatoio) lt. 110

70000310	<b>PV 3300 ONLY PUMP COMPLETE</b> (Solo pompa completa)
70000311	<b>GPV 3300 ON BASE PLATE</b> (su basamento) Hp. 7,5 - Lt/m 2700
70000312	<b>GPV 3300 ON BASE PLATE</b> (su basamento) Hp. 7,5 - Lt/m 2950
70000313	<b>GPV 3300 ON BASE PLATE</b> (su basamento) Hp. 10 - Lt/m 3300
70000314	<b>GPV 3300 ON BASE PLATE WITHOUT ELECTRIC MOTOR</b> (su basamento senza motore elettrico)
70000321	<b>GPV 3300 ON VACUUM TANK</b> (su serbatoio) lt. 110 Hp. 7,5 - Lt/m 2700
70000322	<b>GPV 3300 ON VACUUM TANK</b> (su serbatoio) lt. 110 Hp. 7,5 - Lt/m 2950
70000323*	<b>GPV 3300 ON VACUUM TANK</b> (su serbatoio) lt. 110 Hp. 10 - Lt/m 3300
70000324	<b>GPV 3300 ON VACUUM TANK lt. 110 WITHOUT ELECTRIC MOTOR</b> (su serbatoio senza motore elettrico)

70001100	<b>PV 2200 ONLY PUMP</b> PV 2200 Solo pompa nuda
70000100	<b>PV 2200 ONLY PUMP COMPLETE</b> (Solo pompa completa)
70000101	<b>GPV 2200 ON BASE PLATE</b> (su basamento) Hp. 5,5 - Lt/m 1800
70000102	<b>GPV 2200 ON BASE PLATE</b> (su basamento) Hp. 5,5 - Lt/m 2000
70000103	<b>GPV 2200 ON BASE PLATE</b> (su basamento) Hp. 7,5 - Lt/m 2300
70000104	<b>GPV 2200 ON BASE PLATE WITHOUT ELECTRIC MOTOR</b> (su basamento senza motore elettrico)
70000105	<b>GPV 2200 ON VACUUM TANK</b> (su serbatoio) lt. 85 Hp.5,5 - Lt/m 1800
70000106	<b>GPV 2200 ON VACUUM TANK</b> (su serbatoio) lt. 85 Hp.5,5 - Lt/m 2000
70000107*	<b>GPV 2200 ON VACUUM TANK</b> (su serbatoio) lt. 85 Hp. 7,5 - Lt/m 2300
70000108	<b>GPV 2200 ON VACUUM TANK</b> lt. 85 WITHOUT ELECTRIC MOTOR (su serbatoio lt. 85 senza motore elettrico)
70000130	<b>GPV 2200 ON VACUUM TANK</b> (su serbatoio) lt. 110 Hp.5,5 - Lt/m 1800
70000131	<b>GPV 2200 ON VACUUM TANK</b> (su serbatoio) lt. 110 Hp.5,5 - Lt/m 2000
70000132	<b>GPV 2200 ON VACUUM TANK</b> (su serbatoio) lt. 110 Hp.7,5 - Lt/m 2300
70000133	<b>GPV 2200 ON VACUUM TANK</b> lt. 110 WITHOUT ELECTRIC MOTOR (su serbatoio lt. 110 senza motore elettrico)



**GPV 2200 WITH DROPPING OILER  
 (10 LT)**  
 GPV 2200 con oliatore a goccia (10 litri)

- 70000110** **PV 2200 ONLY PUMP COMPLETE** PV 2200 Solo pompa completa
- 70000111** **GPV 2200 ON BASE PLATE** (su basamento) Hp. 5,5 - Lt/m 1800
- 70000112** **GPV 2200 ON BASE PLATE** (su basamento) Hp. 5,5 - Lt/m 2000
- 70000113** **GPV 2200 ON BASE PLATE** (su basamento) Hp. 7,5 - Lt/m 2300
- 70000114** **GPV 2200 ON BASE PLATE WITHOUT ELECTRIC MOTOR** ( su basamento senza motore elettrico)
- 70000115** **GPV 2200 ON VACUUM TANK** (su serbatoio) lt. 85 Hp.5,5 - Lt/m 1800
- 70000116** **GPV 2200 ON VACUUM TANK** (su serbatoio) lt. 85 Hp.5,5 - Lt/m 2000
- 70000117** **GPV 2200 ON VACUUM TANK** (su serbatoio) lt. 85 Hp. 7,5 - Lt/m 2300
- 70000118** **GPV 2200 ON VACUUM TANK lt. 85 WITHOUT ELECTRIC MOTOR** ( su serbatoio lt. 85 senza motore elettrico)
- 70000134** **GPV 2200 ON VACUUM TANK** (su serbatoio) lt. 110 Hp.5,5 - Lt/m 1800
- 70000135** **GPV 2200 ON VACUUM TANK** (su serbatoio) lt. 110 Hp.5,5 - Lt/m 2000
- 70000136\*** **GPV 2200 ON VACUUM TANK** (su serbatoio) lt. 110 Hp.7,5 - Lt/m 2300
- 70000137** **GPV 2200 ON VACUUM TANK LT. 110 WITHOUT ELECTRIC MOTOR** (su serbatoio lt. 110 senza motore elettrico)

**GPV 1500**

- 70000019** **PV 1500 ONLY PUMP** (Solo pompa nuda)
- 70000020** **PV 1500 ONLY PUMP COMPLETE** (Solo pompa completa)
- 70000021\*** **GPV 1500 ON BASE PLATE** (su basamento) Hp. 5,5 - Lt/m 1450
- 70000022** **GPV 1500 ON BASE PLATE** (su basamento) Hp. 4 - Lt/m 1300
- 70000023** **GPV 1500 ON BASE PLATE WITHOUT ELECTRIC MOTOR** (su basamento senza motore elet.)
- 70000024** **GPV 1500 ON VACUUM TANK** (su serbatoio) lt. 65 Hp. 5,5 - Lt/m 1450
- 70000025** **GPV 1500 ON VACUUM TANK** (su serbatoio) lt. 65 Hp.4 - Lt/m 1300
- 70000026** **GPV 1500 ON VACUUM TANK** lt. 65 without electric motor (su serbatoio lt. 65 senza motore)
- 70000027** **GPV 1500 ON VACUUM TANK** (su serbatoio) lt. 85 Hp. 5,5 - Lt/m 1450
- 70000028** **GPV 1500 ON VACUUM TANK** (su serbatoio) lt. 85 Hp. 4 - Lt/m 1300
- 70000029** **GPV 1500 ON VAC. T. LT. 85 W/ OUT EL. MOTOR** (su serb. lt. 85 senza mot.)

**GPV 1000**

- 70001030** **PV 1000 ONLY PUMP** PV 1000 Solo pompa nuda
- 70000030\*** **PV 1000 ONLY PUMP COMPLETE** PV 1000 Solo pompa completa
- 70000031** **GPV 1000 ON BASE PLATE** (su basamento) Hp. 4 - Lt/min 1000
- 70000032** **GPV 1000 ON BASE PLATE** (su basamento) Hp. 3 - Lt/min 900
- 71110032** **GPV 1000 ON BASE PLATE** (su basamento) Hp. 3 220V single phase (monofase) - Lt/min 900
- 70000033** **GPV 1000 ON BASE PLATE WITHOUT ELECTRIC MOTOR** (su basamento senza motore elettrico)
- 70000034** **GPV 1000 ON VACUUM TANK** (su serbatoio) lt. 65 Hp.4 - Lt/min 1000
- 70000035** **GPV 1000 ON VACUUM TANK** (su serbatoio) lt. 65 Hp. 3 - Lt/min 900
- 71110035** **GPV 1000 ON VACUUM TANK** (su serbatoio) t. 65 Hp. 3 220V single phase (monofase)- Lt/min 900
- 70000036** **GPV 1000 ON VACUUM TANK** lt. 65 without electric motor ( su serbatoio lt. 65 senza motore)
- 70000037** **GPV 1000 ON VACUUM TANK** (su serbatoio) lt. 85 Hp. 4 - Lt/min 1000
- 70000038** **GPV 1000 ON VACUUM TANK** (su serbatoio) lt. 85 Hp. 3 - Lt/min 900
- 71110038** **GPV 1000 ON VACUUM TANK** (su serbatoio) lt. 85 Hp. 3 220V single phase (monofase) - Lt/min 900
- 70000039** **GPV 1000 ON VACUUM TANK** (su serbatoio) lt. 85 without electric motor (senza motore)





GPV 750	
70001040	<b>PV 750 ONLY PUMP / PV 750</b> Solo pompa nuda
70000040	<b>PV 750 ONLY PUMP COMPLETE</b> PV 750 Solo pompa completa
70000041	<b>GPV 750 ON BASE PLATE</b> (su basamento) Hp. 3 - Lt/min 750
71110041	<b>GPV 750 ON BASE PLATE</b> (su basamento) Hp. 3 220V <b>SINGLE PHASE</b> (monofase) - Lt/min 750
70000042	<b>GPV 750 ON BASE PLATE</b> (su basamento) Hp. 2 - Lt/min 600
71110042	<b>GPV 750 ON BASE PLATE</b> (su basamento) Hp. 2 220V <b>SINGLE PHASE</b> (monofase) - Lt/min 600
70000043	<b>GPV 750 ON BASE PLATE WITHOUT ELECTRIC MOTOR</b> (su basamento senza motore)
70000044*	<b>GPV 750 ON VACUUM TANK</b> (su serbatoio) lt. 65 Hp. 3 - Lt/min 750
71110044	<b>GPV 750 ON VACUUM TANK</b> (su serbatoio) lt. 65 Hp. 3 220V <b>SINGLE PHASE</b> (monofase)- Lt/min 750
70000045	<b>GPV 750 ON VACUUM TANK</b> (su serbatoio) lt. 65 Hp. 2 - Lt/min 600
71110045	<b>GPV 750 ON VACUUM TANK</b> (su serbatoio) lt. 65 Hp. 2 220V <b>SINGLE PHASE</b> (monofase) - Lt/min 600
70000046	<b>GPV 750 ON VACUUM TANK</b> (su serbatoio) lt. 65 <b>WITHOUT ELECTRIC MOTOR</b> (senza motore)
70000047	<b>GPV 750 ON VACUUM TANK</b> (su serbatoio) lt. 28 Hp.2 - Lt/min 600
71110047	<b>GPV 750 ON VACUUM TANK</b> (su serbatoio) lt. 28 Hp.2 220V single phase (monofase)- Lt/min 600
70000048	<b>GPV 750 ON VACUUM TANK</b> (su serbatoio) lt. 28 without electric motor (senza motore)

GPV 500	
70001050	<b>PV 500 ONLY PUMP / PV 500</b> Solo pompa nuda
70000050	<b>PV 500 ONLY PUMP COMPLETE / PV 500</b> Solo pompa completa
70000051*	<b>GPV 500 ON BASE PLATE</b> (su basamento) Hp. 2 three-phase
71110051	<b>GPV 500 ON BASE PLATE</b> (su basamento) Hp. 2 220V single phase (monofase)
70000053	<b>GPV 500 ON BASE PLATE</b> (su basamento) without electric motor (senza motore)
70000054	<b>GPV 500 ON VACUUM TANK</b> (su serbatoio) lt. 65 Hp. 2
71110054	<b>GPV 500 ON VACUUM TANK</b> (su serbatoio) lt. 65 Hp. 2 220V single phase (monofase)
70000055	<b>GPV 500 ON VACUUM TANK</b> (su serbatoio) lt. 28 Hp. 2
71110055	<b>GPV 500 ON VACUUM TANK</b> (su serbatoio) lt. 28 Hp. 2 220V single phase (monofase)
70000056	<b>GPV 500 ON VACUUM TANK</b> (su serbatoio) lt. 65 without electric motor (senza motore)
70000057	<b>GPV 500 VACUUM TANK</b> (su serbatoio) lt. 28 without electric motor (senza motore)

GPV 350 LUBRICATED GPV 350 lubrificata	
70001060	<b>PV 350 ONLY PUMP / PV 350</b> Solo pompa nuda
70000060*	<b>PV 350 ONLY PUMP COMPLETE / PV 350</b> Solo pompa completa
70000061	<b>GPV 350 ON VACUUM TANK</b> (su serbatoio) lt. 45 Hp. 1,5
71110061	<b>GPV 350 ON VACUUM TANK</b> (su serbatoio) Lt. 45 Hp. 1,5 220V single phase (monofase)
70000062	<b>GPV 350 ON VACUUM TANK</b> (su serbatoio) lt. 45 without electric motor (senza motore)
70000065	<b>GPV 350 ON VACUUM TANK</b> (su serbatoio) lt. 28 Hp. 1,5
71110065	<b>GPV 350 ON VACUUM TANK</b> (su serbatoio) lt. 28 Hp. 1,5 220V single phase (monofase)
70000066	<b>GPV 350 ON VACUUM TANK</b> (su serbatoio) lt. 28 without electric motor (senza motore)
70000063	<b>GPV 350 ON BASE PLATE</b> (su basamento) Hp. 1,5
70000064	<b>GPV 350 ON BASE PLATE</b> (su basamento) without electric motor (senza motore)



## OIL VACUUM PUMP DL TYPE - POMPA DEL VUOTO A OLIO MODELLO DL

DL type pumps have side outlets. The outlets/inlets are all 2" and need 2"-1" 1/2. gas reductions. All the pulleys and the belts are "section A" of 13 mm. In DL type pumps the silencer is not included

Le pompe modello DL hanno le uscite di lato. Le uscite/entrare sono tutte da 2" e hanno bisogno di riduzioni gas da 2"-1" 1/2. Tutte le pulegge e le cinghie sono "sezione A" 13 mm. Nelle pompe DL il silenziatore non è incluso

### Fitting DL VP76



70000201*	PV 1000 DL WITH PULLEY 140 2A ONLY AND OILER - PV 1000 DL solo con puleggia 140 2A e oliatore
70000202	GPV 1000 DL ON BASE PLATE HP. 3 - LT/MIN 900 - GPV 1000 DL su basamento Hp. 3 - Lt/min 900
70000203	GPV 1000 DL ON BASE PLATE WITHOUT MOTOR - GPV 1000 DL su basamento senza motore
70000204	GPV 1000 DL ON BASE PLATE HP. 4 - LT/MIN 1000 - GPV 1000 DL su basamento Hp. 4 - Lt/min 1000

### Fitting DL VP77



70000200	PV 1500 DL WITH PULLEY 160 2° ONLY AND OILER - PV 1500 DL solo con puleggia 160 2A e oliatore
70000205*	GPV 1500 DL ON BASE PLATE HP. 5,5 - LT/MIN 1450 - GPV 1500 DL su basamento Hp. 5,5 - Lt/min 1450
70000206	GPV 1500 DL ON BASE PLATE HP. 4 - LT/MIN 1300 - GPV 1500 DL su basamento Hp. 4 - Lt/min 1300
70000207	GPV 1500 DL ON BASE PLATE WITHOUT MOTOR - GPV 1500 DL su basamento senza motore

### Fitting DL VP78

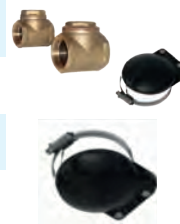


70000208*	PV 2200 DL WITH PULLEY 150 2B ONLY AND OILER - PV 2200 DL solo con puleggia 150 2B e oliatore
70000209	GPV 2200 DL ON BASE PLATE HP. 5,5 - LT/MIN 1800 - GPV 2200 DL su basamento Hp. 5,5 - Lt/min 1800
70000212	GPV 2200 DL ON BASE PLATE Hp. 5,5 - Lt/min 2000 - GPV 2200 DL su basamento Hp. 5,5 - Lt/min 2000
70000210	GPV 2200 DL ON BASE PLATE Hp. 7,5 - Lt/min 2300 - GPV 2200 DL su basamento Hp. 7,5 - Lt/min 2300
70000211	GPV 2200 DL ON BASE PLATE WITHOUT MOTOR - GPV 2200 DL su basamento senza motore

### SILENCER FOR VACUUM PUMPS - SILENZIATORE PER POMPE VUOTO



00300094	G.P.V. 3300/2200 (L. 700 mm)
00300096	G.P.V. 1500/1000 (L. 500 mm)
00300098	G.P.V. 750/500 (L. 300 mm)
00300099	G.P.V. 350 NAKED / NUDO (L. 160 mm)



00300517	BRASS ANTI-RETURN VALVE 2" Valvola terminale a clapet 2" in ottone
00300518	BRASS ANTI-RETURN VALVE 1 1/4" - valvola terminale a clapet 1 1/4" in ottone
00300519	RUBBER ANTI-RETURN VALVE 2" + S/S COLLAR Valvola terminale 2" gomma + fascetta inox



### FULLWOOD VACUUM PUMP, FITT. Q4 (1600 LT/MIN)

Pompa vuoto tipo Fullwood Q4 (1600 lt/min)

**70000330**  
P.V. 1600 NAKED (NUDA)

**70000331**  
P.V. 1600 + PULLEY 170 2A+ FAN  
(+ PULEGGIA 2A)



00300420

**OIL/AIR SEPARATOR 2" 1/2 Ø29 MM (FOR GPV 3300)**  
 Separatore olio/aria 2" 1/2 ø29 mm (per GPV 3300)

00300421

**OIL/AIR SEPARATOR 2" Ø29 MM (FOR GPV 2200)**  
 Separatore olio/aria 2" ø29 mm (per GPV 2200)

00300422

**OIL/AIR SEPARATOR 2" Ø25 MM (FOR GPV 1500/1000)**  
 Separatore olio/aria 2" ø25 mm (per GPV 1500/1000)

00300423

**OIL/AIR SEPARATOR 1" 1/4 Ø23 MM (FOR GPV 750/500)**  
 Separatore olio/aria 1" 1/4 ø23 mm (per GPV 750/500)

## BELTS / CINGHIE



A31

A45

A56

B56

A38

A46

A57

B57

A39

A48

A58

B58

A41

A49

B42

B59

A42

A51

B44

A43

A52

B52

A44

A55

B54

## SPARE PARTS FOR VACUUM TANKS – RICAMBI PER SERBATOIO DEL VUOTO



1.

00300609

**JOINT FOR THE WINDOW'S TANK**  
 Guarnizione finestrella serbatoio

2.

00300610

**PIN WASHER D. 8 - Rondella perno d. 8**

3.

00300611

**SHEET FOR TANKS WINDOW IN PLASTIC**  
 Finestrella serbatoio in plastica

4.

00300612

**SEEGER PIN D. 8 - Seger perno d. 8**

5.

00300613

**SEAL GASKET CONDENSATE DISCHARGE**  
 Guarnizione padellino scarico condensa

6.

00300614

**SEAL CONDENSATE DISCHARGE IN PLASTIC**  
 Padellino scarico condensa in plastica



**00300595**

**DRY VACUUM PUMP VD-180**  
 Pompa vuoto a secco VD-180

**00300601**

**PUMP VD-180 COMPLETE ON TANK**  
 Pompa VD-180 completa su serbatoio 18 lt, 0.75 Kw

**00311595**

**SILENCER - Silenziatore**



**00300596**

**OIL VACUUM PUMP VD-350, COMPLETE WITH OILER, SILENCER AND PULLEY**

Pompa vuoto VD-350, completa con oliatore, silenziatore e puleggia

**00300602**

**PUMP VD-350 COMPLETE ON TANK**  
 Pompa VD-350 completa su serbatoio 30 lt, 1,1 kw 220v-50 hz



**00300597**

**POMPA VUOTO VD-750, COMPLETE WITH OILER, SILENCER AND PULLEY**  
 Pompa vuoto VD-750, completa con oliatore, silenziatore e puleggia

**00300603**

**PUMP VD-750 COMPLETE ON TANK 45 lt, 2,2 kw 380v-50 hz**  
 Pompa VD-750 completa su serbatoio 45 lt, 2,2 kw 380v-50 hz

## OIL VACUUM PUMP WITH ELECTRIC MOTOR POMPA DEL VUOTO A OLIO CON MOTORE ELETTRICO

### AM/TS240

**1 HP 240 LT/MIN. PUT ON VACUUM TANK. COMPLETE WITH BRASS SPRING VACUUM REGULATOR, VACUUM GAUGE AND SILENCER**

1 HP 240 lt/min. Montata su serbatoio del vuoto. Completa di valvola regolazione vuoto a molla in ottone, vuotometro e silenziatore

### AM/T0240

**AS ABOVE WITHOUT VACUUM TANK.**

Come sopra senza serbatoio del vuoto



## DRY VACUUM PUMP WITH ELECTRIC MOTOR POMPA DEL VUOTO A SECCO CON MOTORE ELETTRICO

### AM/TS180

**0,75 HP 190 LT/MIN. PUT ON VACUUM TANK.**

Montata su serbatoio del vuoto

### AM/TS230

**1 HP 230 LT/MIN. PUT ON VACUUM TANK.**

Montata su serbatoio del vuoto.

### AM/T180

**0,75 HP 190 LT/MIN. WITHOUT VACUUM TANK**

Senza serbatoio del vuoto.

### AM/T0230

**1 HP 230 LT/MIN. WITHOUT VACUUM TANK.**

Senza serbatoio del vuoto.



## MILKING BUCKET 25 LT.- SECCHIO MUNGITORE 25 LT.



### AM/TX250

**WITH S/S LID AND S/S TEAT CUP SHELLS. S/S CLAW OF 160 CC.**

Per vacche con coperchio e cannelli in acciaio inox. Collettore inox 160 c/c

### AM/TXC250

**AS ABOVE FOR SHEEP/GOATS**

Come sopra con gruppo per ovini o caprini



### AM/TT240

**CLEAR BUCKET WITH S/S LID AND S/S TEAT CUP SHELLS. S/S CLAW OF 160 CC.**

Secchio trasp. con coperchio e cannelli in acciaio inox.

Collettore inox 160 c/c

### AM/TTC240

**AS ABOVE FOR SHEEP/GOATS**

Come sopra con gruppo per ovini o caprini



### 00800193

**"WOLF" AUTOMATIC WASHING SYSTEM**

Sistema di lavaggio automatico "WOLF"



### 00300741

**DRY VACUUM PUMP 230 LT/MIN WITH TANK**

Pompa vuoto a secco con serbatoio 230 lt/min



### 00300742

**OIL VACUUM PUMP 230 LT/MIN WITH TANK**

Pompa vuoto a olio con serbatoio 230 lt/min

**COUPLING FOR PUMP - Giunto per pompa**



### 88833365

**DPV1600 (CORR. 94829902)**

### 88833366

**DPV2300 (CORR. 94829901)**





**PLASTIC BOTTLE FOR OILER**  
Bottiglia plastica per oliatore

- 00100174**  
LT. 0,5
- 00100175**  
LT. 1
- 00100176**  
LT. 2

**00100066**  
**UNIVERSAL OILER FOR VACUUM PUMPS WITH BOTTLE**

Oliatore universale per pompe vuoto con bottiglia

**20090028**  
**UPPER PLASTIC BODY**  
Corpo plastica superiore (10)

**20090029**  
**DRAFT STRIPS**  
Lamella di pescaggio (8)

**20090030**  
**BRASS NOZZLES**  
Beccucci in ottone (4)

**20090031**  
**SQUARED PLASTIC BODY**  
Bottiglia plastica quadrata (12)



**00300229**  
**TUBE FOR OILER**  
Tubo per oliatore

**00300106**  
**BOTTOM PLASTIC BODY**  
Corpo plastica inferiore (3)

**00300107**  
**SUPPORT BRACKETS**  
Quadretti di sostegno (5)



**00400360**  
**DL TYPE OILER**  
Oliatore modello dl

**FITTING VP18-74-76-77-78**  
**REF. 958550-90**

**DL TYPE OILER / OLIATORE MODELLO DL**

00400361	2 - CORR. 95853802
00400362	3 - CORR. 22343514
00400363	4 - CORR. 95854001
00400364	5 - CORR. 95853903
00400365	6 - CORR. 95854101
00400366	8 - CORR. 95860201
00400367	7 - CORR. 95967280
00400368	9 - CORR. 95854501
00400369	10 - CORR. 95840901
00400370	11 - CORR. 98857701
00400371	12 - CORR. 95854301
00400372	13 - CORR. 90847901
00400373	14 - CORR. 95931382



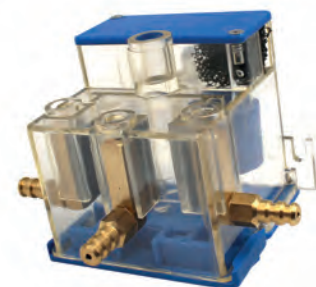
**PERSIAN OIL SPECIFIC FOR VACUUM PUMPS**  
**OLIO PERSIAN SPECIALE PER POMPE VUOTO**



**00111507 - LT. 5**



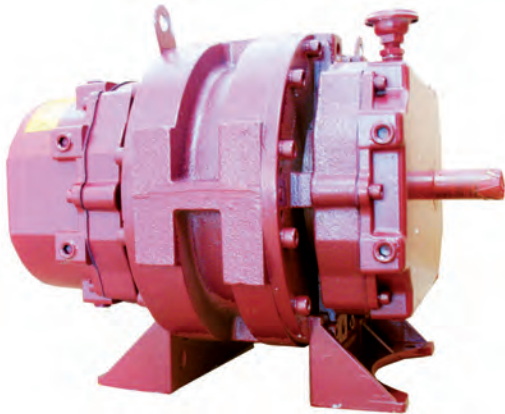
**00100999 - LT. 20**



**88833359**  
**OILER FW STYLE CORR. 041862**  
Oliatore tipo FULLWOOD CORR. 041862



## BLOWER PUMPS - POMPE A LOBI



### SUTORBILT LOBE VACUUM PUMPS (MADE IN USA – 2 YEARS WARRANTY)

Pompe vuoto a lobi sutorbilt (made in Usa – 2 anni di garanzia)

<b>70000501</b>	3-M PUMP HEAD, 2" PORTS (solo pompa, uscite 2")
<b>70000502</b>	4-H PUMP HEAD, 1 1/2" PORTS (solo pompa, uscite 1 1/2")
<b>70000503</b>	4-M PUMP HEAD, 2 1/2" PORTS (solo pompa, uscite 2 1/2")
<b>70000504</b>	5-H PUMP HEAD, 2 1/2" PORTS (solo pompa, uscite 2 1/2")
<b>70000505</b>	5-M PUMP HEAD, 4" PORTS (solo pompa, uscite 4")
<b>70000506</b>	6-M PUMP HEAD, 5" PORTS (solo pompa, uscite 5")
<b>70000507</b>	7-M PUMP HEAD, 6" PORTS (solo pompa, uscite 6")

## PERFORMANCE AND SIZING CHART – Tabella delle prestazioni e del dimensionamento

MODEL	LT/MIN	HP	RPM	PORTS	SHAFT	PUMP PULLEY	MOTOR PULLEY	BELTS
3-M	1700	5	2550	2"	3/4"	46-2B	66-2B	B-59
4-H	1600	5	2175	1 1/2"	7/8"	48-2B	60-2B	B-62
4-H	2400	7 1/2	2900	1 1/2"	7/8"	48-2B	80-2B	B-66
4-M	2300	7 1/2	1920	2 1/2"	7/8"	58-2B	64-2B	B-65
4-M	2900	10	2400	2 1/2"	7/8"	58-2B	80-2B	B-67
5-H	2300	7 1/2	1520	2 1/2"	1 1/8"	60-2B	52-2B	B-62
5-H	2900	9	1915	2 1/2"	1 1/8"	60-2B	66-2B	B-65
5-H	3100	10	1975	2 1/2"	1 1/8"	60-2B	70-2B	B-65
5-M	4500	15	1875	4"	1 1/8"	80-3B	86-3B	B-72
5-M	5700	20	2400	4"	1 1/8"	80-3B	110-3B	B-75
6-M	7500	25	1825	5"	1 3/8"	68-4B	70-4B	B-67
6-M	9000	30	2130	5"	1 3/8"	70-4B	86-4B	B-72

<b>70000508</b>	4-H, with 5 HP drive kit	For Highline
<b>70000509</b>	4-H, with 7,5 HP drive kit	For Highline
<b>70000510</b>	4-M, with 7,5 HP drive kit	For Lowline
<b>70000511</b>	4-M, with 7,5 HP drive kit	For Highline
<b>70000512</b>	4-M, with 10 HP drive kit	For Lowline
<b>70000513</b>	5-H, with 7,5 HP drive kit	For Highline
<b>70000514</b>	5-H, with 9 HP drive kit	For Highline
<b>70000515</b>	5-H, with 10 HP drive kit	For Lowline
<b>70000516</b>	5-M, with 15 HP drive kit	For Lowline
<b>70000517</b>	5-M, with 20 HP drive kit	For Lowline
<b>70000518</b>	6-M, with 25 HP drive kit	For Lowline
<b>70000519</b>	6-M, with 30 HP drive kit	For Lowline
<b>70000520</b>	7-M, with 40 HP drive kit	For Lowline
<b>70000521</b>	Horizontal stand, ONLY	For 5 to 10 HP
<b>70000522</b>	4-H, with 5 HP drive kit	For 15 to 30 HP
<b>70000523</b>	4-H, with 5 HP drive kit	For 40 HP
<b>70000525</b>	Oil for blower pumps (0,946 lt)	



**70000165**  
**3" FILTER T-SHAPE WITH  
 1" OUTLET DRAIN**  
 (Filtro 3" a forma di T  
 con uscita di scarico 1").  
**HIGHLY RECOMMENDED  
 FOR ALL SYSTEMS**

## CTA BLOWER PUMPS - POMPE A LOBI CTA



**70000163**  
P.V. 3300 BLOWER BARE

**70000155**  
P.V. 5000 BLOWER BARE

## G.P.V. BLOWER PUMPS ON BRACKET – POMPE A LOBI SU BASAMENTO



**G.P.V. 3300 BLOWER ON BRACKET WITH 1 SILENCER**

**70000164**  
3300 L/MIN AT 50 KPA – (7.5 KW)

**70000166**  
4200 L/MIN AT 50 KPA – (9.2 KW)

**G.P.V. 5000 BLOWER ON BRACKET WITH 1 SILENCER**

**70000159**  
5000 L/MIN AT 50 KPA – (11 KW)

**70000160**  
6000 L/MIN AT 50 KPA – (11 KW)



**G.P.V. 3300 BLOWER ON BRACKET WITH 2 SILENCERS**

**70000165**  
3300 L/MIN AT 50 KPA – (7.5 KW)

**70000167**  
4200 L/MIN AT 50 KPA – (9.2 KW)

**G.P.V. 5000 BLOWER ON BRACKET WITH 2 SILENCERS**

**70000157**  
5000 L/MIN AT 50 KPA – (11 KW)

**70000158**  
6000 L/MIN AT 50 KPA – (11 KW)

## G.P.V. BLOWER PUMPS IN SOUNDPROOF BOOTH



**G.P.V. 3300 BLOWER ON BRACKET WITH SIL. SOUNDPROOF BOOTH, 1 SILENCER**

**70016002**  
3300 L/MIN AT 50 KPA – (7.5 KW)

**70016003**  
4200 L/MIN AT 50 KPA – (9.2 KW)

**70000245**  
SECOND SILENCER ENTER/EXIT (OPTION)

**G.P.V. 3300 BLOWER ON BRACKET WITH SIL. SOUNDPROOF BOOTH, 1 SILENCER**

**70015502**  
5000 L/MIN AT 50 KPA – (11 KW)

**70015503**  
6000 L/MIN AT 50 KPA – (11 KW)

**70000246**  
SECOND SILENCER ENTER/EXIT (OPTION)

## INVERTER CTA

<b>79001031</b>	INVERTER KW. 2,2 SPD100
<b>79001032</b>	INVERTER KW. 4 SPD100
<b>79001033</b>	INVERTER KW. 5,5 SPD100
<b>79001034</b>	INVERTER KW. 7,5 SPD100
<b>79001035</b>	INVERTER KW. 11 SPD100
<b>79001036</b>	INVERTER KW. 15 SPD100
<b>79001006</b>	PRESSURE SENSOR / TRANSDUCER – Sensore, trasduttore di pressione
<b>79001026</b>	CABLE FOR SENSOR (cavo per sensore) MT. 10
<b>79001027</b>	CABLE FOR SENSOR (cavo per sensore) MT. 20

## OPTIONAL

<b>79001030</b>	DVM 100 DISPLAY – Visualizzatore DVM100
<b>79001017</b>	CABLE FOR DISPLAY MT.10 – Cavo per visualizzatore mt. 10
<b>79001018</b>	CABLE FOR DISPLAY MT.20 – Cavo per visualizzatore mt. 10
<b>79001028</b>	TEMPERATURE SENSOR KIT WITH MT.10 CABLE – Kit sensori di temperature con cavo mt. 10
<b>79001029</b>	TEMPERATURE SENSOR KIT WITH MT.20 CABLE - Kit sensori di temperature con cavo mt. 20

