



## RECEIVING Terminali e complementi



## MILK PUMPS GENUINE PACKO (3 PHASES, FU THREAD) POMPE ORIGINALI PACKO (TRIFASE, USCITA FILETTATA)

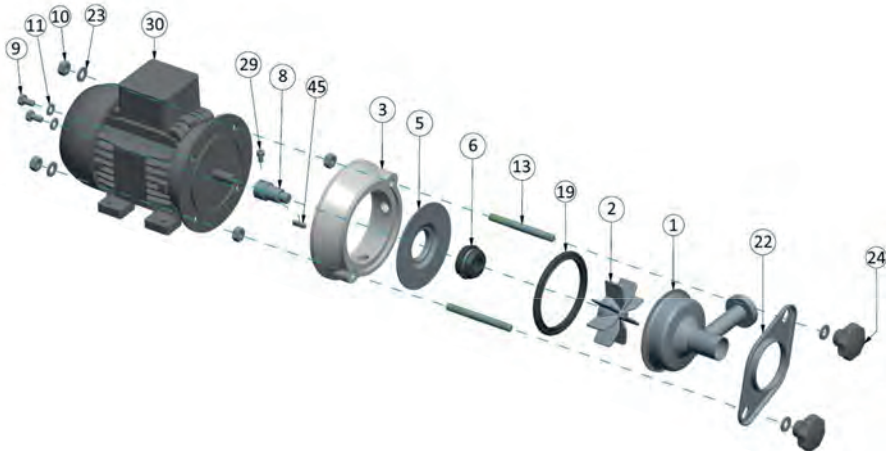


### FP4100 – 50 HZ

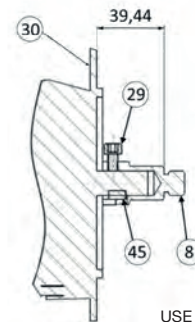
INLET Ø Uscita Ø	MOTOR POWER Potenza motore	RINSE CONNECTION Tubetto lavaggio	ART.
32	0,55	-	PXD239010
40	0,55	-	PXD239011
32	0,55	X	PXD239008
40	0,55	X	PXD239009

### FP4600 – 50 HZ

INLET Ø Uscita Ø	MOTOR POWER Potenza motore	RINSE CONNECTION Tubetto lavaggio	ART.
40	0,75	-	PXD82186
40	0,75	X	PXD243173
51	0,75	-	PXD82020
51	0,75	X	PXD182005
40	1,10	-	PXD82117
40	1,10	X	PXD243174
51	1,10	-	PXD82059
51	1,10	X	PXD182004

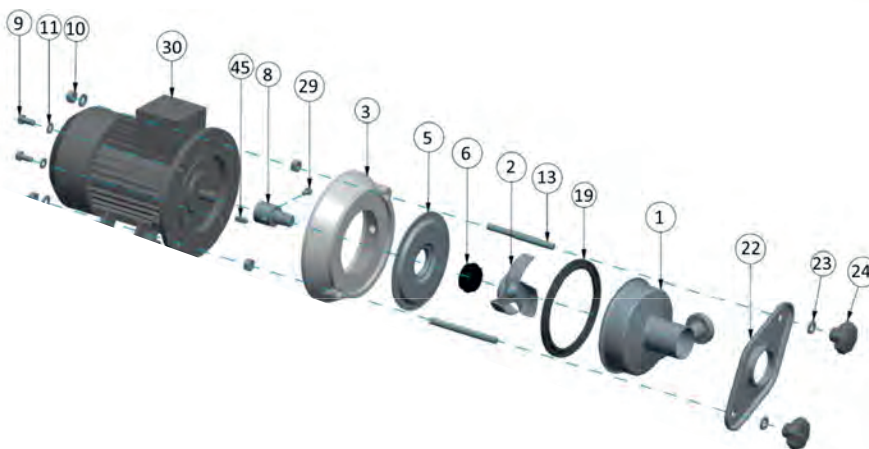


### SPARE PARTS FOR FP4100

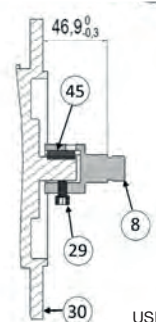


- 1 PXD-40258
- 2 PXD-234507
- 3 PXD-40515
- 5 PXD-40374
- 8 PXD-40373
- 13 PXD-20792D
- 19 PXD-40269
- 22 PXD-40678

USE TOOL PXD 41740



### SPARE PARTS FOR FP4600



- 1 PXD-47436
- 2 PXD-41629
- 3 PXD-40218
- 5 PXD-41648
- 8 PXD-40286
- 13 PXD-42406
- 19 PXD-40217
- 22 PXD-40681

USE TOOL PXD 200664

# RECEIVING - Terminali e complementi

**00300088**

**MECHANICAL SEAL  
 FITTING MILK PUMP  
 FULLWOOD  
 AND MIELE**

Tenuta pompa latte  
 tipo FULLWOOD  
 e MIELE

Fitting Packo FP4600  
 (corr. PXD232716)



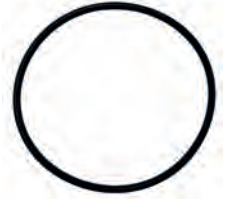
**50000178**

**FULLWOOD**  
 Ø 41  
 CORR. 035227

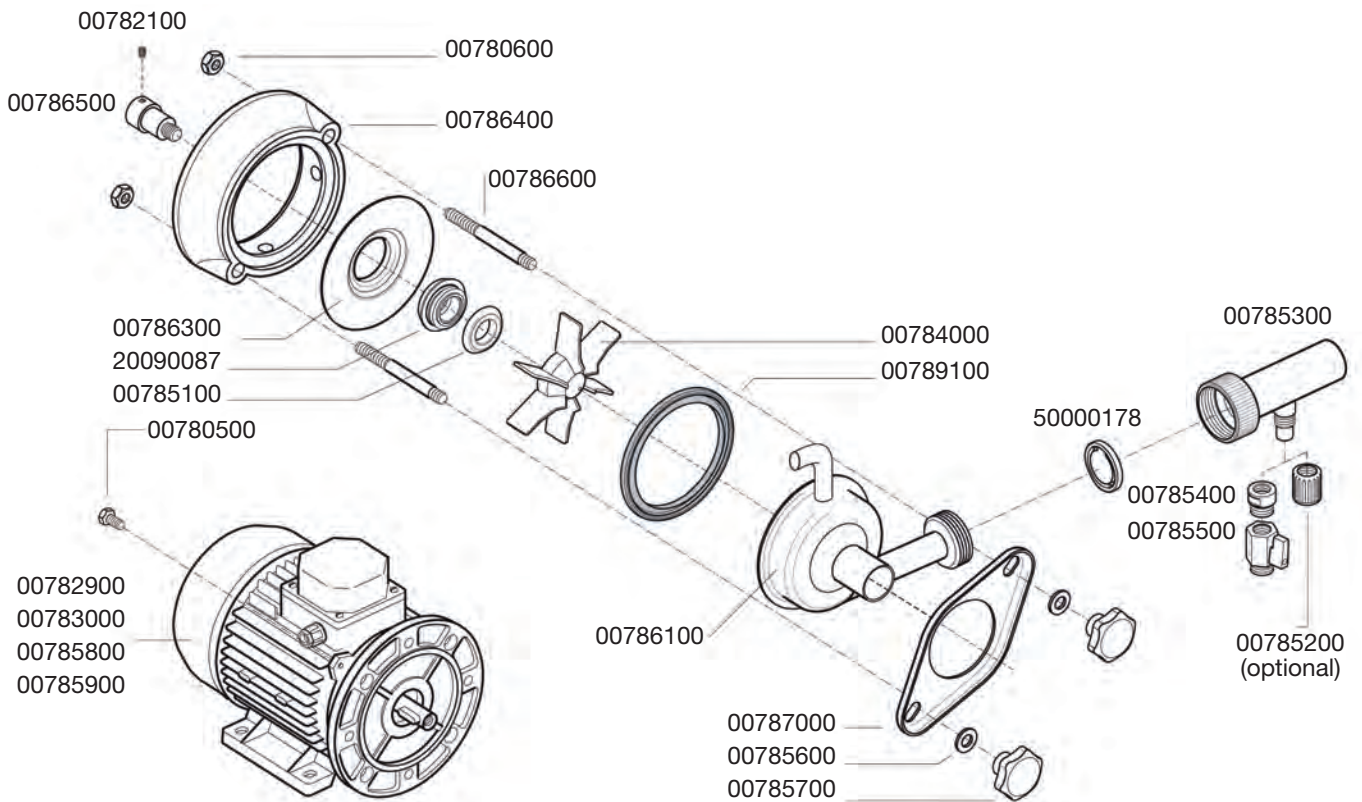


**00800174**

**CASING SEAL FITT. FP 66**  
 Guarnizione tenuta FP66

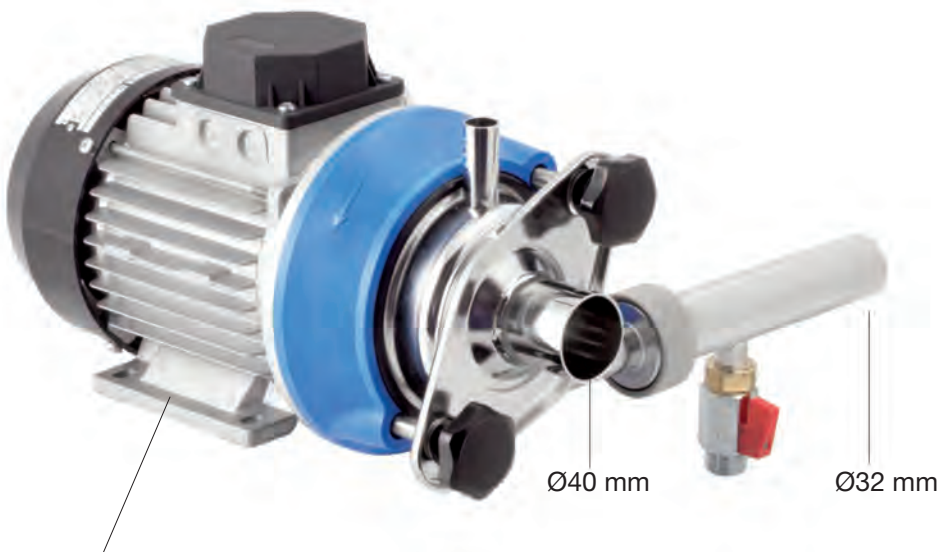
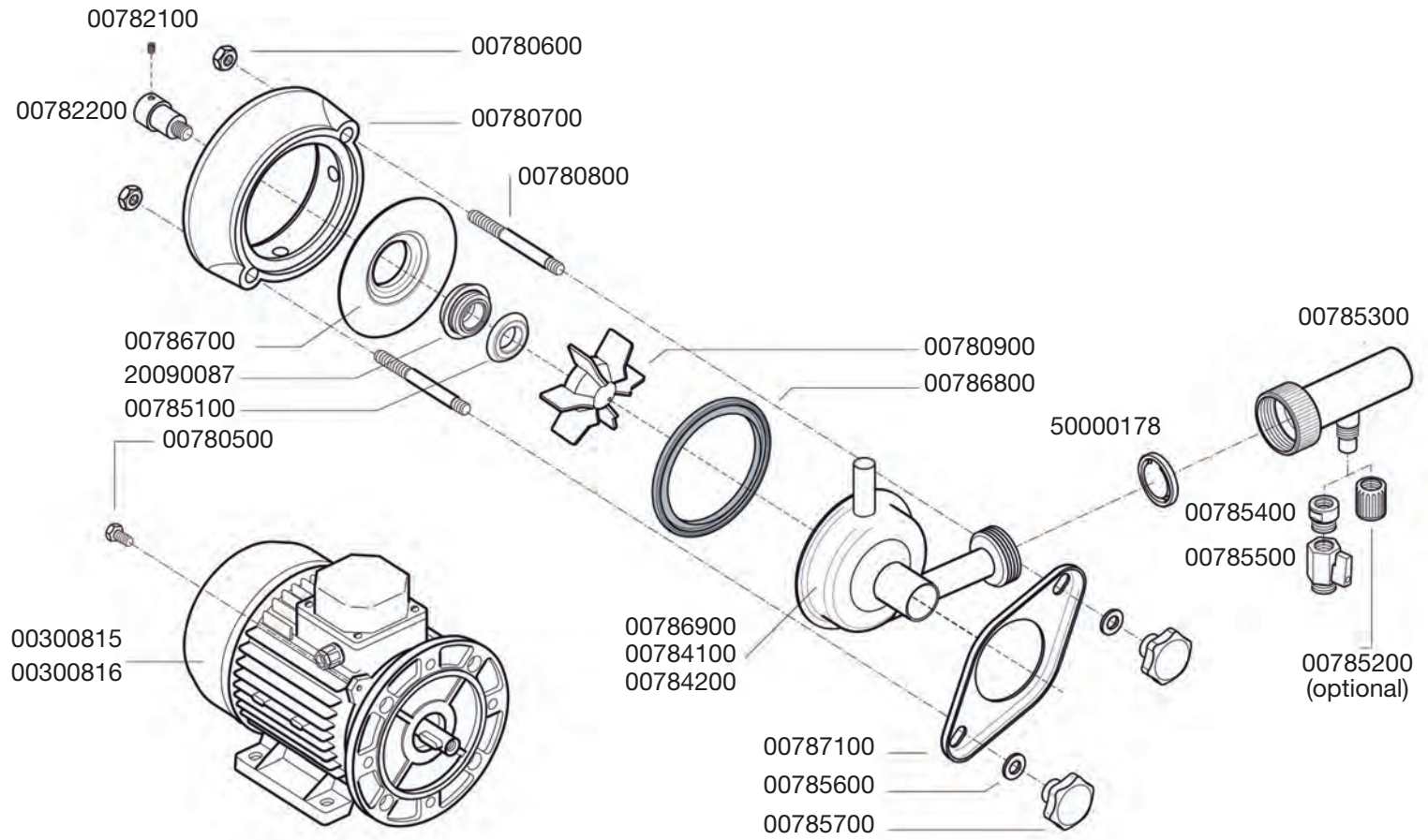


## S/S MILK PUMP FULLWOOD PACKO STYLE (FP4600), HP 1, 12.500 LT/H Pompa latte inox tipo Fullwood Packo (FP4600), HP 1, 12.500 lt/h



- 00782500 - 200 V, 50 HZ, SINGLE PH.
- 00782600 - 220 V, 60 HZ, SINGLE PH.
- 00782700 - 110 V, 60 HZ, SINGLE PH.
- 00782800 - 220/380 V, 50/60 HZ, THREE-PH.

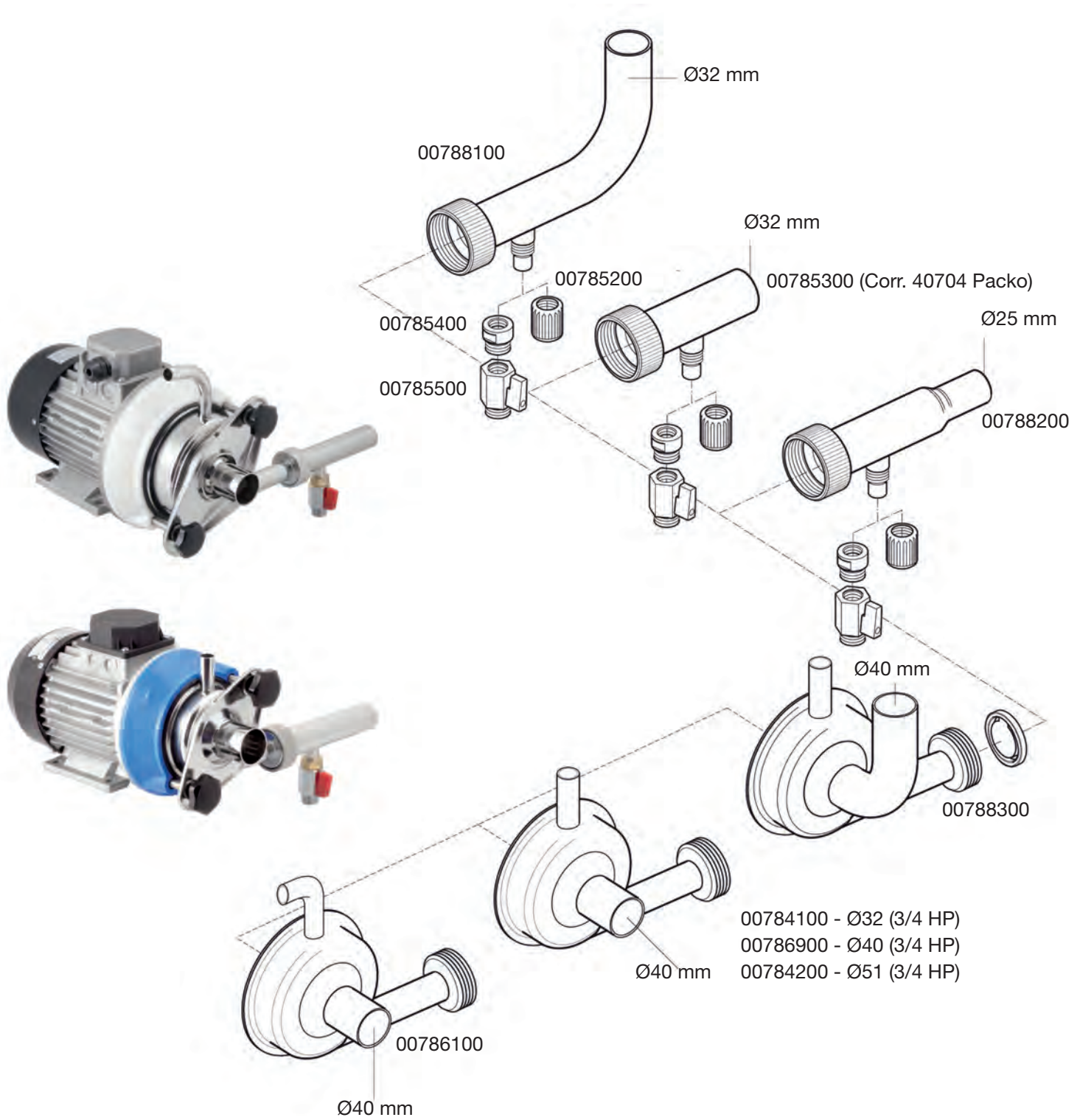
**S/S MILK PUMP FULLWOOD PACKO STYLE (FP4100), 3/4 HP, 10.000 LT/H**  
**Pompa latte inox tipo Fullwood Packo (FP4100), 3/4 HP, 10.000 lt/h**

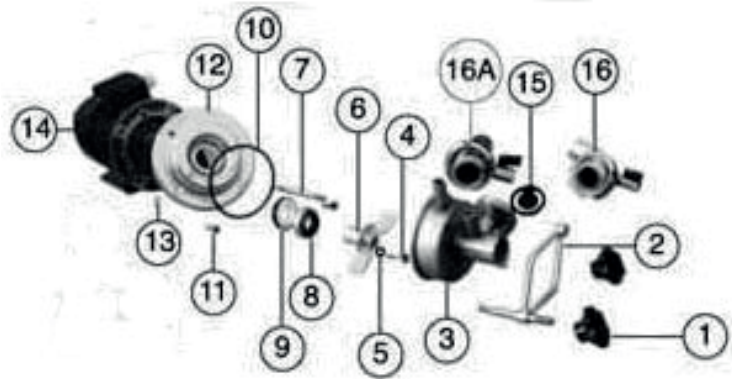


**00780100** - 220 V, 50 HZ, SINGLE PH.

**00780200** - 220/380 V, 50/60 HZ, THREE PH.

## ACCESSORIES FOR FULLWOOD PACKO MILK PUMPS Accessori per pompe latte tipo Fullwood Packo





### S/S MILK PUMP

Pompa latte in acciaio inox

#### 00600130

**AMTS1 MODEL: 8000 LT/H. HP 0,75. TRIPHASE**

Motore trifase

1	00600139
2	00600137
3	00600133
4	00611136
5	00611137
6	00600134
7	00600138
8	00600135
9	00600136

#### 00611133

**AMTS1: WITH SINGLE PHASE MOTOR**

Motore monofase

10	00611138
11	00611139
12	00600132
13	00611140
14	00611141
15	00600140
15	00611145
16	00600141
16A	00611142

### ACCESSORIES FOR AMTS1 MILK PUMP - Accessori per pompa latte AMTS1

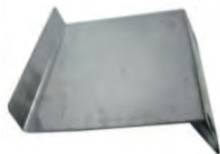
#### 00600142

**SUPPORT**  
Basamento



#### 00600143

**PROTECTION**  
Protezione



#### 00611144

**CONTROL BOX**  
SINGLE PHASE  
Centralina monofase

#### 00600144

**CONTROL BOX**  
3-PHASES  
Centralina trifase



## MILK PUMP ITALIAN PRODUCTION - Pompa latte di produzione italiana

### ENTRY (ENTRATA) Ø34 OR Ø40, EXIT Ø25 WITH DN40 FEMALE THREAD

Uscita Ø25 con DN40 femmina

### RUBBER CLAPET INCLUDED

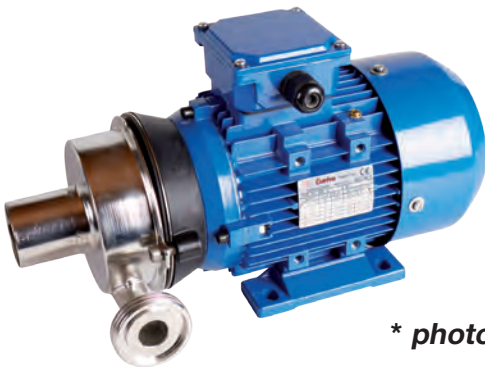
Clapè in gomma incluso



00300751	HP 1, 10500 LT/H- THREE-PHASE (Trifase)
00300752	HP 1, 10500 LT/H- SINGLE-PHASE (Monofase)
00300753	HP 0.75, 9300 LT/H- THREE-PHASE (Trifase)
00300754	HP 0.75, 9300 LT/H- SINGLE-PHASE (Monofase)
00300755	S/S BEND WITH TAP AND MALE THREAD DN40 Curva inox con rubinetto ed attacco maschio con girella DN40
00300756	S/S FILTER WITH BEND 630X40 – Filtro inox con curva 630x50
00300757	RUBBER CLAPET – Clape' Gomma
00400427	SHAFT JOINT - Tenuta Completa

## MILK PUMP FMP110 STYLE

Pompa latte tipo FMP 110



\* photo

**00300200 \***  
CORR. 99579686  
**RIGHT EXIT**  
Uscita destra

**00300201**  
CORR. 99579685  
**LEFT EXIT**  
Uscita sinistra

## IMPELLER FOR FMP110, CORR. 90582180

Girante per FMP110, corr. 90582180



**00300159**  
**STAINLESS STEEL**  
Acciaio



**00800267**  
**PLASTIC, HIGH RESISTANCE**  
Plastica, alta resistenza



**00300160**  
**REPAIRING SET FOR FMP 110**  
Kit riparazione per FMP 110

**00300161**  
CORR. 99683601  
**CARBON SEAL**  
Guarnizione grafite



**00300162**  
CORR. 99684201  
**O'RING**



## S/S SPRING FOR FMP 110

Molla acciaio per FMP 110



**00300163**  
LEFT - SINISTRA, CORR. 99684401



**00800175**  
RIGHT - DESTRA, CORR. 91891902



**00300164**  
 CORR. 99684101  
**S/S RING Ø45**  
 Anello acciaio ø45



**00300165**  
 CORR. 99684102  
**S/S RING Ø36**  
 Anello acciaio ø36



**00300166**  
 CORR. 51997508  
**SEGER Ø30MM**



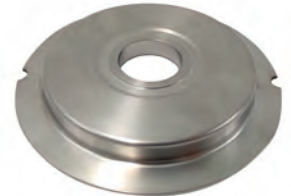
**00300230**  
 CORR. 99683180  
**BODY RING**  
 Anello intermedio



**00400171**  
 CORR. 99889181  
**S/S BODY LEFT EXIT**  
 Corpo inox uscita sx

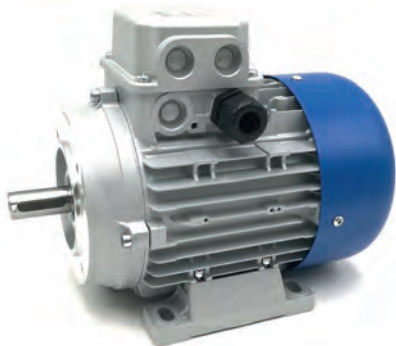


**00300157**  
 CORR. 98976580  
**NON RETURN VALVE**  
 Valvola non ritorno



**00300009**  
 CORR. 92788781  
**S/S BACKPLATE**  
 Piatto acciaio

**00400172**  
 CORR. 99683281  
**S/S BODY RIGHT EXIT**  
 Corpo inox uscita dx



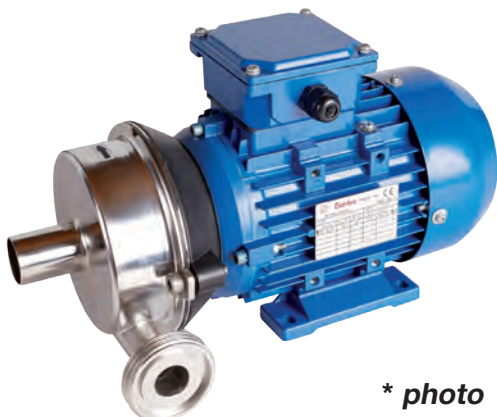
**20150901**  
 CORR. 99579180  
**MOTOR HP 1 FOR FMP110 (THREE-PHASE)**



**00300231**  
**SET OF SCREWS FOR FMP 55/110**  
 Set viti complete per FMP 55/110

CORR. 99578780

**MILK PUMP FMP55 STYLE - Pompa latte tipo FMP 55**



\* photo

**00300170 \***  
 CORR. 99896994  
**RIGHT EXIT**  
 Uscita destra

**00300171**  
 CORR. 99896993  
**LEFT EXIT**  
 Uscita sinistra



**00300155**  
 CORR. 99544801  
**PLASTIC IMPELLER**  
 Ventola plastica



**00300156**  
 CORR. 90685080  
**S/S IMPELLER**  
 Ventola acciaio





**00300157**  
 CORR. 98976580  
**NON RETURN VALVE**  
 Valvola non ritorno



**00300158**  
 CORR. 99544301  
**GASKET FOR MILK PUMP**  
 Guarnizione pompa latte



**00300172**  
 CORR. 51997507  
**RING**  
 Anello



**00300173**  
 CORR. 99543801-  
 2900001926  
**GRAPHITE SEAL**  
 Guarnizione in grafite



**00300225**  
 CORR. 99544980  
**BODY RING**  
 Anello intermedio



**00300012**  
 CORR. 86885780  
 (96752880)  
**S/S BACKPLATE**  
 Piatto acciaio



**00400067**  
 CORR. 95589581  
**S/S BODY LEFT EXIT**  
 Corpo inox uscita sx

**00400068**  
 CORR. 99896381  
**S/S BODY RIGHT EXIT**  
 Corpo inox uscita dx



**00300226**  
 CORR. 99543301  
**O'RING**



**20150902**  
 CORR. 99579181  
**MOTOR HP 0.75 FOR FMP55 (THREE-PHASE)**

**SHAFT JOINT FOR GM2 AND FMP55 DL MILK PUMP** - Set tenute per pompa DL FMP55 - GM2



**20090098**



**20090099**



**20090100**

**SPARE PARTS FOR GM2 DL/MS - RICAMBI POMPA LATTE FMP55 - GM2 DL/MS**



**00100652**  
 CORR. 3143701191  
**NUT**  
 Tenuta



**00100653**  
 CORR. 3143701211  
**GASKET**  
 Guarnizione



**00100654**  
 CORR. 3143702111  
**GRAPHITE RING**  
 Anello grafite



**00100655**  
 CORR. 22341275  
**O'RING Ø110**  
 O'ring ø110



**00100656**  
 CORR. 3145600251  
**PLASTIC IMPELLER**  
 Ventola plastica



**00100657**  
 CORR. 3143901681  
**O'RING FOR GRAPHITE RING**  
 O'ring per anello grafite

**S/S SPRING FOR FMP 55 - Molla acciaio per FMP 55**



**00300147**  
 LEFT- sinistra,  
 CORR. 99543701  
**00800176**  
 RIGHT - Destra,  
 CORR. 99543702



**00300148**  
 CORR. 99543601  
 (3143700381)  
**S/S WASHER 45 MM**  
 Deflettore 45 mm



**20090042**  
 CORR. 957845-01  
**RUBBER DRAIN VALVE DL TYPE**  
 Valvola di drenaggio in gomma tipo DL



**00300149**  
 CORR. 99543401  
 (10412500)  
**S/S WASHER Ø30 MM**  
 Rondella ø30 mm

**SPARE PARTS FOR MILK PUMP PC 900 AL/MS - RICAMBI POMPA LATTE PC 900 AL/MS**



**20090118**  
 CORR. 98702380  
**COVER FOR PUMP**  
 Coperchio per pompa



**00100649**  
 CORR. 95804801  
**PLASTIC IMPELLER**  
 Ventola in plastica



**88833327**  
**S/S CLAMP**  
 Anello acciaio  
 CORR. 98883101



**00800268**  
**INLET FOR MILK PUMP 28/32**  
 (CORR. 96718201)  
 Nipplo uscita pompa latte 28/32  
 (CORR. 96718201)



**00100650**  
 CORR. 96056001  
**SHAFT JOINT**  
 Tenuta



**500177TN**  
 CORR. 95785901  
**NON RETURN VALVE**  
 Valvola ritegno



**00100651**  
 CORR. 95829401  
**GASKET**  
 Guarnizione



**00300196**  
 CORR. 95804401  
**SHAFT**  
 Alberino

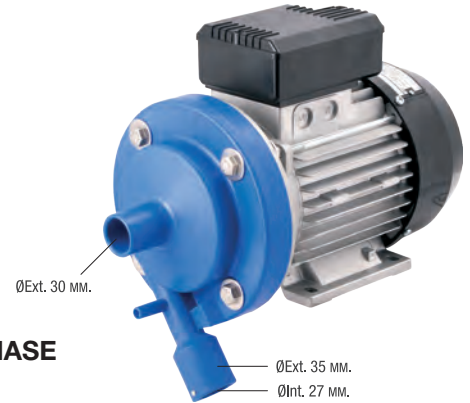
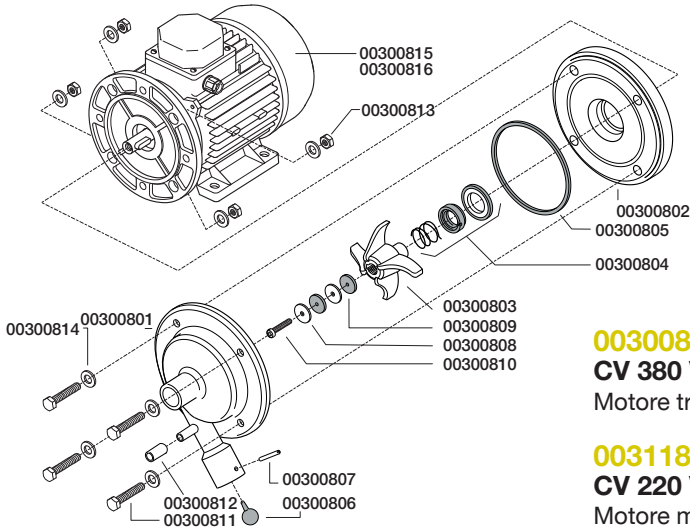


**00300197**  
 CORR. 95805201  
**GASKET**  
 Guarnizione



**00300198**  
 CORR. 95908401  
**BUSHING**  
 Boccola

## PLASTIC MILK PUMP ¾ WF STYLE - POMPA LATTE IN PLASTICA ¾ TIPO WF



**00300800**  
**CV 380 V 5 50/60 HZ TRIPHASE**  
Motore trifase

**00311800**  
**CV 220 V 50 HZ SINGLE PHASE**  
Motore monofase

<b>00300801</b>	<b>PUMP COVER /</b> Coperchio pompa (7038-2006-040)	<b>00300802</b>	<b>BODY PUMP</b> Corpo pompa (7038-2458-000)
<b>00100408</b>	<b>COMPLETE SEAL /</b> Tenuta completa (0004-2047-009)	<b>00300805</b>	<b>RUBBER GASKET</b> Guarnizione gomma (0007-2754-700)
<b>00300807</b>	<b>S/S UNION BOLT 4X36 /</b> Perno inox 4x36 (0026-1064-400)	<b>00300808</b>	<b>S/S O'RING</b> Rondella inox (0026-1884-300)
<b>00300809</b>	<b>RUBBER O'RING /</b> Rondella gomma (0004-5275-750)	<b>00300810</b>	<b>S/S SCREW M-5X30 /</b> Vite inox M-5X30 (0019-2499-300)
<b>00300811</b>	<b>S/S SCREW M-8X45 /</b> Vite inox M-8x45 (0019-6910-300)	<b>00300812</b>	<b>PVC SLEEVE 7.6X14 MM (2CM)</b> Manicotto pvc 7.6X14 mm (2cm)
<b>00300813</b>	<b>S/S NUT M-6 /</b> Dado inox M-6	<b>00300814</b>	<b>S/S WASHER M-8 /</b> Rondella inox M-8
<b>00300815</b>	<b>MOTOR ¾ C.V. 3000 RPM 220V-50HZ SINGLE PHASE</b> (7038-2206-020)	<b>00300816</b>	<b>MOTOR ¾ C.V. 3000 RPM 220/380V-50/60 HZ</b> <b>TRI-PHASE</b> (7038-2206-010)

**00300803**  
CORR. 7038-2310-100  
**HELICE**  
Elica



**00300806**  
CORR. 7038-2310-050  
7038-5302-050  
**RUBBER BALL**  
Valvola a sfera  
in gomma



**00100408**  
CORR. 0004-1618-009  
**SHAFT JOINT FOR WF**  
**MILK PUMP**  
Tenuta pompa latte WF



**00300167**  
CORR. 7038-2145-030 (-000)  
**SHAFT JOINT FOR WF**  
**MILK PUMP 1.5 KW**  
Tenuta pompa latte  
WF 1.5 KW



Fitting also Packo FP66  
(corr. 227728)

**00100529**  
**MECHANICAL SEAL**  
**WF. OLD TYPE**  
Tenuta meccanica WF T.  
vecchio  
CORR. 0004-2925-759



**00800370**  
**S/S BEND TUBE 30MM**  
**CORR. WF**  
**7038-2622-000**  
Tubo acciaio curvato 30 MM  
FT. WF 7038-2622-000



**70226000**  
**RUBBER BEND**  
**50/40 WF ST.**  
Curva gomma 50/40 T. WF  
CORR. 0018-1678-700



**00800222**  
**RUBBER ELBOW**  
**50/30 T. WF.**  
Curva gomma 50/30 T. WF.  
CORR. 0018-2018-700



**00800513**  
**SHAFT JOINT KIT FOR**  
**MANOVAC MILK PUMP**  
Tenuta pompa latte T.  
MANOVAC





**20150339**  
**RUBBER REDUCTION 40/30 MM FOR WF-MIELE MILK PUMP**  
Riduzione gomma 40/30 mm per WF-MIELE  
CORR. WF-MIELE 7720-0023-072



**50000620**  
0018-1484-700  
**RUBBER OUTLET FITTING WF MILK PUMP 50-30 MM**  
Uscita in gomma pompa latte WF 50-30 mm



**50000621**  
0018-1487-700  
**RUBBER OUTLET FITTING WF MILK PUMP 50-40 MM**  
Uscita in gomma pompa latte WF 50-40 mm



**00800186**  
**SERVICE KIT FOR NON RETURN VALVE CORR. 7038-9905-050**  
Service kit valvola non ritorno  
CORR. 7038-9905-050



**00300929**  
**IMPELLER FOR WF 1,1 KW MILK PUMP REF. 7038-2310-100**  
Girante per pompa WF 1,1 KW  
CORR. 7038-2310-100

**MILK PUMP BM-GM - POMPA LATTE BM-GM**

**TECNOZOO**



**00100647**  
CORR. 428201  
**IMPELLER**  
Ventola



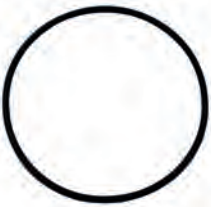
**00300048**  
CORR. D225002  
**CERAMIC SEAL AND RUBBER HOUSING**  
Tenuta ceramica e camera gomma



**00100648**  
CORR. 225001  
**SHAFT JOINT**  
Tenuta



**2016-A123** FITT. W123  
**2016-A134** FITT. W143  
**SHAFT JOINT TECNOZOO TYPE**  
Tenuta pompa latte T. TECNOZOO



**00300045**  
CORR. D242035  
**O-RING FOR MELOTTE LID PUMP**  
O-ring per coperchio pompa MELOTTE



**00300046**  
CORR. T 242.013  
**T RING**  
Anello a T



**00300029**  
CORR. G053604  
**CONTACT RING FOR HI-FLO MK-2**  
Anello di contatto PER HI-FLO MK-2



**00300047**  
CORR. G053605  
**SEAL SHAFT FOR HI-FLO MK2**  
Tenuta per HI-FLO mk2



**00300026**  
**NON RETURN VALVE FOR BM (OLD STYLE)**  
Valvola non ritorno BM (modello vecchio)  
CORR. 8515506



**00300966**  
**REPAIR KIT FOR BM MILK PUMP**  
Kit riparazione pompa latte BM  
corr. 8513776



**00300967**  
**STAINLESS IMPELLER FOR 4" BM MILK PUMP**  
Ventola inox per pompa latte BM 4" corr. 8519949

**DAIRYMASTER MILK PUMP - POMPA LATTE DAIRYMASTER**



**00300030**  
**GASKET**  
Guarnizione  
CORR. CP204 10330033



**00300031**  
**SHAFT JOINT**  
Tenuta meccanica  
CORR. 10330017-CP201



**00300032**  
**NON-RETURN VALVE**  
Valvola non ritorno  
CORR. CP211 10330041

## NON-RETURN VALVES - VALVOLE NON RITORNO



**20091770**  
95158901  
DL Ø 42 (GM2)



**500177TN**  
95785901  
DL Ø 40 (PC)



**50000242**  
DL Ø 44



**50000337**  
952701  
DL Ø 61



**20094980**  
967164-01  
DL (FOR FMP PUMP) Ø 50



**50000178**  
FULLWOOD  
Ø 41  
CORR. 035227



**50000251**  
GM Ø 44



**50000354**  
GM Ø 42



**50000176**  
381061  
GM Ø 50



**50000390**  
1311211  
MIELE  
Ø 40



**50000328**  
WEICROFT  
MACFORD  
Ø 45



**50000469**  
7047-2648-000  
WF Ø 50



**2018-7140**  
NON RETURN VALVE  
TDM-TECNOZOO STYLE  
Valvola non ritorno tipo  
TDM-TECNOZOO



**2018-4520**  
NON RETURN VALVE  
MILKLINE STYLE  
Valvola non ritorno  
tipo MILKLINE  
CORR. 0420160



**2018-6120**  
NON RETURN VALVE  
SAC STYLE  
Valvola non ritorno  
tipo SAC  
CORR. 252.44.158



**00800509**  
NON RETURN VALVE FITT.  
MANOVAC-STRANGKO



**00100617**  
 CORR. 7038-2284-020  
**RUBBER SEAL FOR WF MILK FILTER**  
 Guarnizione gomma per filtro latte WF



**00100616**  
 CORR. 96832401  
**RUBBER SEAL FOR DL MILK FILTER**  
 Guarnizione gomma per filtro latte DL



**00300117**  
 CORR. 99958501  
**DRAIN VALVE NOZZLE**  
 Tappo a vite drenaggio



**00300140**  
 CORR. 98498701  
**CONICAL SEAL FOR FILTER 610X95 MM**  
 Raccordo conico per filtro 610x95 mm



**00300239**  
 CORR. DL 96112880  
**PLASTIC SHORT MILK FILTER 32 CM, EXITS 18/18 MM**  
 Filtro corto in plastica 32 cm, uscite 18/18 mm



**00300194**  
 CORR. 95809601  
**GASKET FOR FILTER DL**  
 Guarnizione filtro DL



**00300195**  
 CORR. 95831301  
**FILTER CONNECTION 20 MM DL**  
 Raccordo filtro 20 mm DL



**00711200**  
**IN-LINE PLASTIC FILTER, GREAT FOR BUCKET AND PIPELINE SYSTEMS (USE FILTER SOCK 00600009 - 160X57)**  
 Filtro plastica in linea, ideale per impianti fissi o a carrello (utilizzare filtri a calza 00600009 - 160x57)

**S/S FILTER WITH BEND, DL THREAD (SMS 1" 1/2)**  
 Filtro inox con curva, filetto tipo DL (SMS 1" 1/2)



**00600197** - BODY Ø51, EXIT Ø40  
**00600198** - BODY Ø63, EXIT Ø40



**88833305**  
**FILTER RING**  
 (CORR. 95029803)  
 Ghiera filtro DL  
 (CORR. 95029803)



**88833353**  
**PLASTIC NUT Ø40**  
 (CORR. 95029801)  
 Ghiera plastica Ø40  
 (CORR. 95029801)



**88833354**  
**FILTER NIPPLE FOR DL FILTER**  
 (CORR. 95693501)  
 Nipplo plastica per filtro DL  
 (CORR. 95693501)



**00800276**  
**PLASTIC DRAIN BEND CPL**  
 CORR. 96546481 (PC1500)  
 Curva drenaggio plastica  
 CORR. 96546481 (PC1500)



**00800481**  
**RUBBER GASKET FOR FW FILTER**  
 Guarnizione gomma per filtro latte FW



**00800482**  
**U-JOINT FOR FW MILKFILTER (Ø53X40X7)**  
 Guarnizione ad U per filtro FW (Ø53x40x7)

**00300240**

**PLASTIC SHORT MILK FILTER 32 CM WITH BENDED EXIT**

Filtro corto in plastic 32 cm con uscita curva



**STAINLESS STEEL MILK FILTER (Ø40, EXIT 32MM)**

Filtri latte inox (Ø40, uscita 32mm)



	L. mm	Spare spring (molla ricambio)
00600193	630	20090113
00600194	560	20090114
00600195	460	20090115
00600196	320	20090115

**00711800**

O'RING FOR MILK FILTER WF MIONE CORR. 7801-2764-010



**ELECTRODE FOR RECEIVING JAR**

Elettrodo per terminale

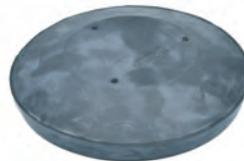


20070570	L. 420
20070571	L. 540
20070572	L. 620
20070573	L. 700
20070574	L. 850

**RUBBER ADAPTOR FOR PROBE SENSOR A/L MODEL  
SUPPORTO GOMMA PER SONDA AD ELETTRODI MODELLO DL**



**00100958**



**00100959**

(FITT. 7028892-80)

**88800527**

**PROBE FOR RECEIVING JAR L. 500 MM**

Sonda vaso terminale L. 500 MM



## ELECTRIC CONTROL BOX FOR MILK PUMP TRI-PHASE QUADRO CONTROLLO PER POMPA LATTE TRIFASE



**00800205**  
**UNIVERSAL MILK PUMP CONTROL BOX (AUT/MAN)**  
 Centralina universale pompa latte (AUT/MAN)  
 Replaces DL boxes for pumps FMP55, FMP110, PLMP37



**20090269**  
**FOR ELECTRODES AND LEVEL CONTROL (AS 00300327)**  
 Per sonda a elettrodi e a galleggiante (tipo 00300327)

- Control box used to power a milk pump of a terminal vessel. The control box is pond and assemble fuses, remote control switch, overload relays, alimentation transformer, general switch, electronic panel and emptying button of the terminal milk vessel.
- Quadro controllo per comando di una pompa latte del vaso terminale. Il quadro è stagno, monta fusibili di protezioni, teleruttore, relè di sovraccarico, trasformatore di alimentazione, interruttore generale, pannello elettronico A6D e pulsante di svuotamento del vaso terminale.

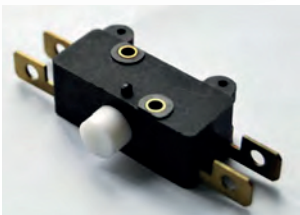
**00800270**  
**PROBE DL ST. 25 LT, CORR. 96563286**  
 Sonda T. DL. 25 LT, CORR. 96563286



**00800249**  
**RUBBER PLUG FOR DL PROBE CORR. 99682501**  
 Tappo gomma per sonda DL CORR. 99682501



**00300193**  
 (CORR. DL 96522682)  
**MICROSWITCH**  
 Microinterruttore



**00400144**  
 (CORR. MS 966019-01)  
**MICROSWITCH**  
 Microinterruttore

**00300327**  
**LEVEL CONTROL DL TYPE, 70 CM LENGTH**  
 Sonda tipo DL, 70 cm  
 CORR. 96523086 (87)



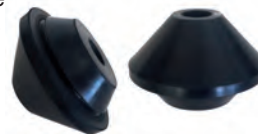
**00300328**  
**FLOAT FOR LEVEL CONTROL**  
 Galleggiante per sonda  
 CORR. 96521580



**00100527**  
**PROBE FOR RECEIVING JAR COMPLETE WITH S/S FLOAT AND S/S PROTECTION**  
 Sonda per vaso terminale Completa di galleggiante inox e protezione inox



**00800440**  
**ADAPTOR FOR LEVEL CONTROL FLOAT**  
 Adattatore per sonda



**00800508**  
**RUBBER CAP FOR MAGNETIC LEVEL**  
 Tappo in gomma per sonda



**00100599**  
**S/S FLOAT (FOR PROBE 00100527)**  
 Galleggiante inox (Per sonda 00100527)



**00100528**  
**UNIVERSAL S/S FLOAT Ø 65 MM. HOLE Ø 13,5 MM**  
 Galleggiante inox universale Ø 65 mm. Foro ø 13,5 mm



**00493890**  
**PLASTIC FLOAT FITT. GEA**  
 Galleggiante plastica adatt. GEA  
 CORR. 0005-0493-890

**00800366**  
**COMPLETE ELECTRONIC LEVEL CONTROL FITT. WF**  
 Sonda di livello adatt. WF  
 CORR. 7038-2335-030

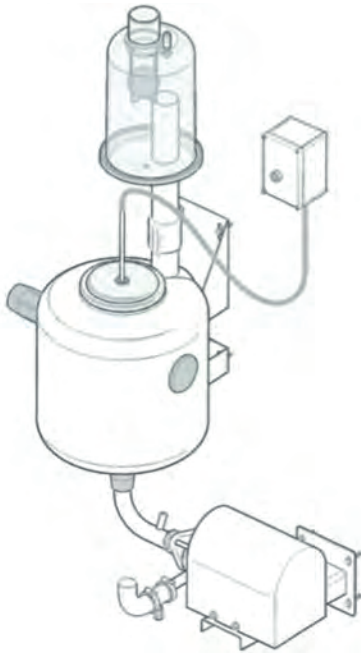




## 20090200

### S/S COMPLETE UNIT, 50 LT., WITH THREE-PHASE MILK PUMP

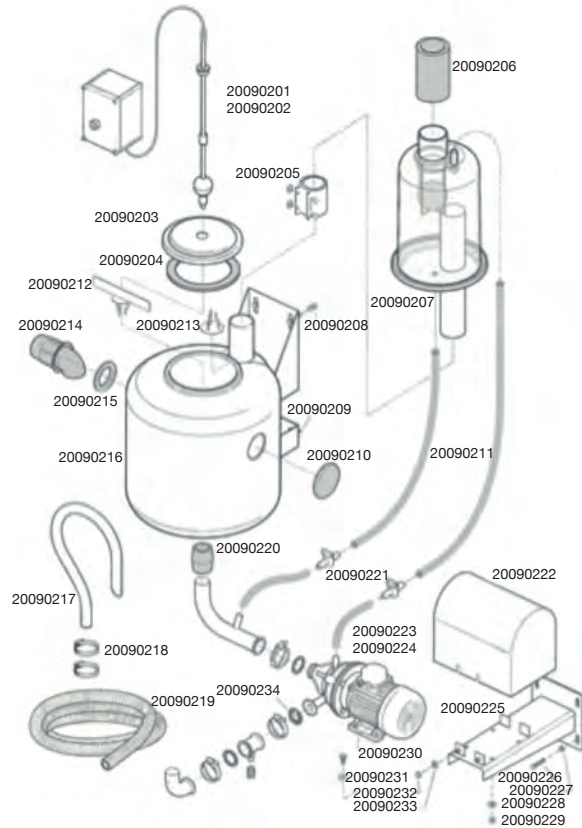
Unita' finale inox lt. 50 Con pompa latte inox trifase



## 20090199

### S/S COMPLETE UNIT, 50 LT., WITH SINGLE-PHASE MILK PUMP

Unita' finale inox lt. 50 Con pompa latte inox monofase



## COMPLETE RECEIVING UNIT "MELKER" - UNITÀ TERMINALE COMPLETA "MELKER"

### 00600079

#### UNIT WITH GLASS JAR 40 LT.

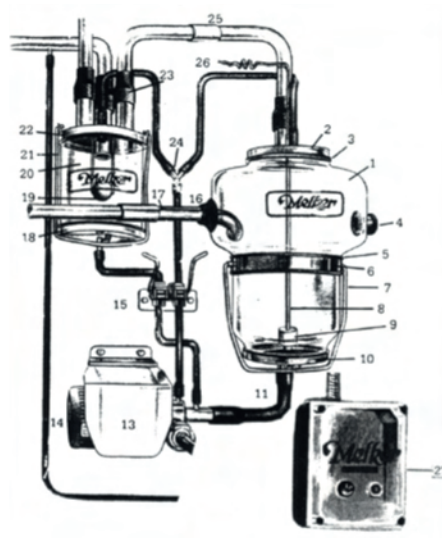
Unità con vaso di vetro da 40 lt.



### 00600080

#### UNIT WITH GLASS JAR 50 LT.

Unità con vaso di vetro da 50 lt.



00600081	1	00600096	15
00600082	1	00600097	16
00600083	2	00600098	17
00600084	3	00600099	18
00600085	4	00600100	19
00600086	5	00600101	20
00600087	6	00600102	21
00600088	7	00600103	22
00600089	8	00600104	23
00600090	9	00600105	24
00600091	10	00600106	25
00600092	11	00600107	26
00600093	13	00600108	27
00600095	14		



The unit is supplied with all the accessories and milk pump, control box and sanitary trap are included



Il terminale è fornito completo di tutti gli accessori ed è dotato di pompa latte, centralina, sanitario

## SANITARY TRAPS 10 LTS. WITH STAINLESS STEEL LIDS VASI SANITARI DA LT. 10 CON COPERCHI INOX



**00500012**  
 2 T. Ø 51



**00500025**  
 T. Ø 76,2 MM  
**00501125**  
 T. Ø 63,5 MM.

00500004

### RUBBER GASKET FOR SANITARY TRAP

Guarnizione gomma per sanitario

00500006

### TRANSPARENT CYLINDER 200X190X322 (STD TYPE)

Cilindro trasparente 200x190x322 (mod. STD)

20090090

### TRANSPARENT CYLINDER 200X190X644 (20 LT TYPE)

Cilindro trasparente 200x190x644 (mod. Da 20 lt)

### RUBBER BALL FLOAT WITH PLASTIC KERNEL, IDEAL FOR SANITARY TRAPS

Galleggiante sferico in gomma  
 Con anima in plastica, ideale per sanitari



00100081 Ø 60

00100082 Ø 70

00100083 Ø 80

00100084 Ø 100



### 00500100

### SANITARY TRAP 20 LT. CAPACITY, WITH STAINLESS STEEL LIDS Ø 250 MM, PIPES ON DEMAND

Vaso sanitario capacità lt. 20 con  
 coperchi inox ø 250 mm, tubi a richiesta

### 20090088

### GASKET FOR SANITARY TRAP 00500100

Guarnizione sanitario 00500100

### 20090089

### TRANSPARENT CYLINDER 250X240X400

Cilindro trasparente 250x240x400



### 00300024

Corr. T242100

### GASKET FOR SANITARY TRAPS GM

Guarnizione vaso sanitario GM



### 00800277

### VALVE FOR SANITARY TRAP PC900 CORR. 96564401

Valvola drenaggio PC900  
 CORR. 96564401



00100970 LT. 35

00100971 LT. 45

00100972 LT. 50

00100973 LT. 55

00600145 LT. 60

00100974 LT. 70

00100975 LT. 80

00100976 LT. 100

### STAINLESS STEEL VERTICAL MILK RECEIVING JAR WITH BRACKET AND SIDE EXITS (MEASURES ON DEMAND)

Terminale verticale in acciaio inox con supporto e tubi laterali  
 di uscita (misure a richiesta)



00100977 LT. 35

00100978 LT. 45

00100979 LT. 50

00100980 LT. 55

00100981 LT. 60

00100982 LT. 70

00100983 LT. 80

00100984 LT. 100

### STAINLESS STEEL VERTICAL MILK RECEIVING JAR WITH BRACKET AND SIDE PORTS

Terminale verticale in acciaio inox con supporto e fori laterali

## STAINLESS STEEL HORIZONTAL MILK RECEIVING JAR

Terminale orizzontale in acciaio inox



00100985	LT. 60
00100986	LT. 80

## S/S SIDE LID WITH 1 PIPE

Coperchio inox laterale 1 tubo



00100776	Ø40
00100777	Ø50,8
00100778	Ø63,5
00100779	Ø70
00100780	Ø76,2

## S/S SIDE WITH 2 PIPES

Coperchio inox laterale 2 tubi



00100781	Ø40
00100782	Ø50,8
00100783	Ø63,5

## 00100775

### S/S BLIND LID

Coperchio inox cieco solo stampato e tornito



## S/S UPPER LID

Coperchio inox superiore



00100784	2 T. Ø18 / 1 T. Ø30
00100785	2 T. Ø18 / 1 T. Ø50

## S/S UPPER LID 1 CENTRAL PIPE Ø18 + SPRINKLER

Coperchio inox superiore 1 tubo ø18 centrale + spruzzatore +



00100786	+1 T. Ø18
00100787	+1 T. Ø30
00100788	+1 T. Ø50

## S/S UPPER LID 1 CENTRAL PIPE Ø18 + SPRINKLER+

Coperchio inox superiore 1 tubo ø18 centrale + spruzzatore +



00100789	1 T. Ø18 OPPOSITE / contrapposto
00100790	1 T. Ø40 OPPOSITE / contrapposto
00100791	1 T. Ø50,8 OPPOSITE / contrapposto
00100792	1 T. Ø63,5 OPPOSITE / contrapposto
00100793	1 T. Ø76,2 OPPOSITE / contrapposto

## 00100794

### S/S UPPER LID 1 CENTRAL PIPE Ø18 + SPRINKLER

Coperchio inox superiore tubo ø18 centrale + spruzzatore



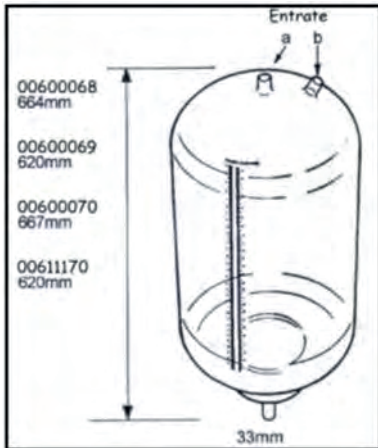
## S/S UPPER LID WITH TURNING SPRINKLE

Coperchio inox superiore con spruzzatore mobile



00300430	2 PIPES / TUBI Ø 38.1
00300431	3 PIPES / TUBI Ø 38.1
00300432	2 PIPES / TUBI Ø 50.8
00300433	3 PIPES / TUBI Ø 50.8
00300434	2 PIPES / TUBI Ø 63
00300435	1 PIPE / TUBO Ø 76+ 1 PIPE / TUBO Ø63
00300436	2 PIPES / TUBI Ø 76

## GLASS JARS FOR PARLOURS - VASI DI VETRO PER SALE DI MUNGITURA



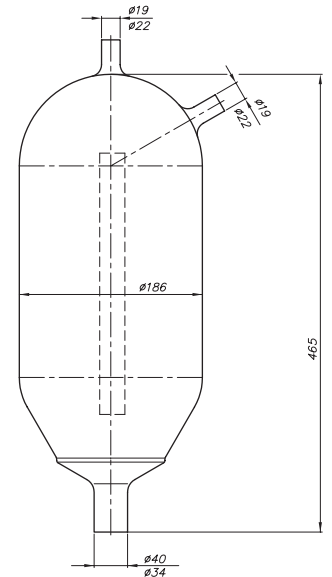
**00600069**    **00600070**

<b>CAPACITY / Capacità (Lt)</b>	28	33
<b>HOLE / Foro "a" mm</b>	19	19
<b>HOLE / Foro "b" mm</b>	19	19

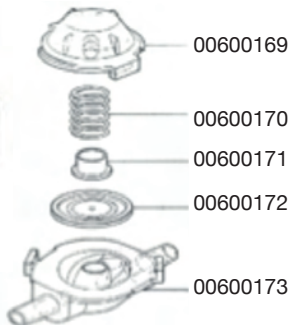
**00600077**  
**BRACKET**  
 Supporto



**00710600**  
**GLASS RECORDING JAR LT. 7**  
 Vaso in vetro LT. 7

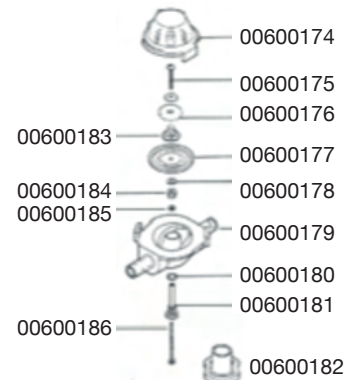


**00600157**  
**DIAPHRAGM VALVE**  
 Valvola evacuazione a membrana



<b>20090092</b>	16 MM (5/8")
<b>00600157</b>	22 MM (7/8")

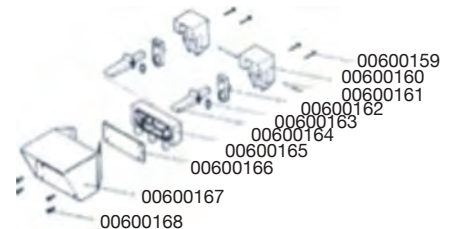
**00600156**  
**DIAPHRAGM VALVE 16 MM**  
 Valvola a membrana per vuoto 16 mm (5/8")



**00600158**  
**CONTROL SWITCH**  
 Interruttore di comando e controllo



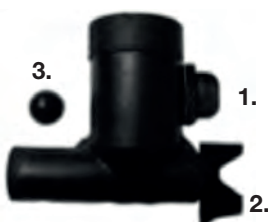
**00624043**  
**KIT RICAMBI**  
 Spares kit  
 (incl. 2x00600164 + 00600166 + 00600161  
 + 2x00600160 + 2x00600163 + 2x00600162 + 00600165)



## UNEQUAL TEE WITH MILK SAMPLE T SOTTOVASO CON RUBINETTO PRELEVACAMPIONI

**00600228** Ø 40

1. 00600225
2. 00600226
3. 00600227



**00100608** Ø 40



**00611158** Ø 32



# RECEIVING - Terminali e complementi



**00611180**

corr. 7009-2864-140  
**ADAPTER FITTING  
AMONG OTHERS WF  
GLASS JAR, Ø36**

Manicotto gomma uscita vaso  
misuratore tipo WF ø 36



**00611174**

**JAR SPREADER SPRING  
TYPE**

Mollettina di lavaggio vasi  
misuratori



**00611175**

**ANTI VORTEX PLATE  
FOR RECEIVING JARS**

Antivortice in acciaio inox  
per vasi terminali



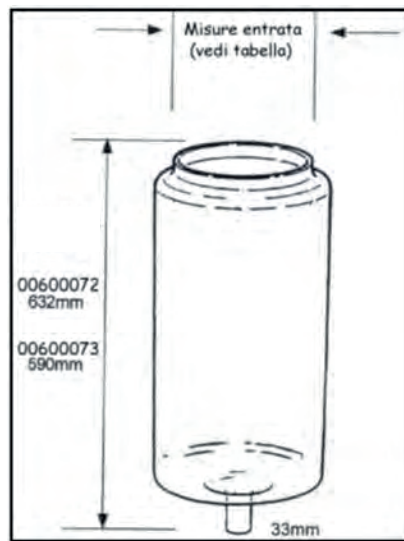
**00400271**

**RECEIVING JAR 32 LT  
RUBBER LID (1 HOLE  
Ø50, 1 PIPE 2", TURNING  
SPREADER)**

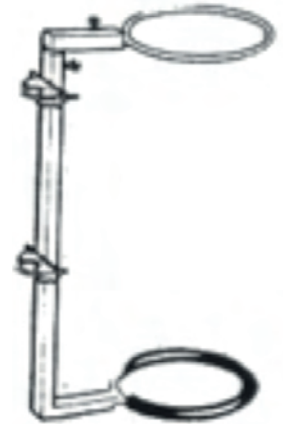
Coperchio gomma per terminale  
vetro da 32 lt, 1 foro ø50, 1 tubo  
2", spruzzatore girevole

**ON DEMAND: WITH 2 60 MM INLETS**  
A richiesta anche con 2 fori da 60 mm

	00600072	00600073
<b>CAPACITY</b> Capacità (Lt)	28	32
<b>INLET HOLE MM</b> Foro entrata mm	193	193



**00600078**  
**BRACKET**  
Supporto



## GLASS RECEIVING JARS - VASI TERMINALI IN VETRO

**20090111**

**33 LT RECEIVING JAR  
WITH 2 SIDE HOLES  
Ø60. BOTTOM EXIT  
Ø40**

Vaso terminale 33 Lt con  
2 fori laterali ø60. Uscita  
inferiore ø40



**20090112**

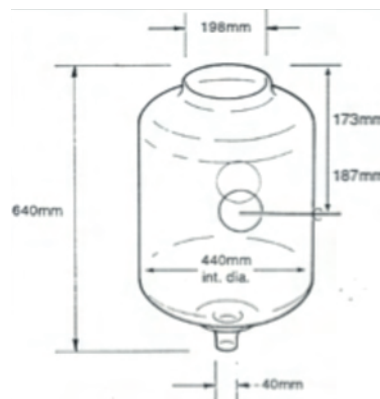
**BRACKET**  
Supporto



**00600067**

**CAPACITY**  
Capacità (Lt) 50

**HOLES**  
Fori 2x63 mm



**00600076**

**BRACKET FOR 00600067**  
Supporto per 00600067





**00600229**  
**JAR SPREADER**  
**FOR RECEIVING JAR**  
 Spruzzatore di lavaggio  
 per vaso terminale  
 CORR. DL 96532280



**00800435**  
**JAR SPREADER**  
**CORR. 96705180**  
 Spruzzatore x vaso mis. latte  
 CORR. 96705180



**00800252**  
**RUBBER PLUG**  
**FOR 18 LT JAR, 43 MM,**  
**CORR. 95132301**  
 Tappo gomma per vaso 18 LT, 43 mm  
 CORR. 95132301



**00800492**  
**RUBBER LID FOR DL**  
**SANITARY TRAP**  
**CORR. 95907380**  
 Coperchio gomma sanitario DL  
 CORR. 95907380



**00800434**  
**WASHING HEAD**  
**FOR SANITARY TRAP**  
**CORR. 7038-2666-010**  
 Testa di lavaggio per sanitario  
 CORR. 7038-2666-010



**00800291**  
**LID FOR SANITARY**  
**TRAP LT. 5**  
**CORR. 7015-6457-020**  
 Coperchio sanitario LT. 5 in gomma  
 CORR. 7015-6457-020



**00800489**  
**GASKET FOR END UNIT**  
**CORR. 7009-2631-010**  
 Guarnizione per unita' terminale  
 CORR. 7009-2631-010



**88833310**  
**CROSS INSERT FOR**  
**VESSEL 22/50 LT**  
**(CORR. 7038-2816-020)**  
 Inserto a croce per vaso 22/50 LT  
 (CORR. 7038-2816-020)



**88833311**  
**WING FOR 22 LT VESSEL**  
**(CORR. 7038-5606-020)**  
 Aletta per vado 22 LT  
 (CORR. 7038-5606-020)

## RUBBER MILK ENTRY FOR RECEIVING JARS GOMITO ENTRATA LATTE PER TERMINALI



- 00111185    Ø 40X40
- 00100085    Ø 40X60
- 00100086    Ø 50X60
- 00100087    Ø 63X76
- 00100088    Ø 70X76
- 00111188    Ø 76X76



- 20070109**  
**MODEL MIELE, WITH RIDGE,**  
**PIPELINE Ø 40,**  
**HOLE IN GLASS Ø 50**  
Modello Miele, con spigolo,  
tubo Ø 40, entrata Ø 50

## RUBBER MILK ENTRY WF TYPE - GOMITO ENTRATA LATTE TIPO WF

**00300297**

corr. 7038-2809-050

A=40 MM B=60 MM



**00300298**

corr. 7038-2809-040

A=50 MM B=60 MM



**00300299**

corr. 7038-2809-030

A=40 MM B=47 MM



**00777700**

**RUBBER JAR INLET 70/70**

**WF TYPE 7038-2809-080**

Gomito T. WF 70/70 7038-2809-080

**00808000**

**MILK ENTRY WF. ST. 50-70**

Gomito T. WF 50-70 7038-2809-060



**00800161**    Ø40/46, CORR. WF 7015-1277-000

**00800162**    Ø40/60 CORR. WF 7038-2631-010

**00800163**    Ø50/60 CORR. WF 7038-2631-020

**00800438**  
**RUBBER MILK INLET 40X40**  
**CORR. 7038-2864-050**  
 Manicotto gomma entrata vaso 40X40  
 CORR. 7038-2864-050



**00800439**  
**RUBBER MILK INLET 50X70**  
**CORR. 7038-2864-040**  
 Manicotto gomma entrata vaso 50X70  
 CORR. 7038-2864-040



**00800422**  
**RUBBER MILK INLET 70X70**  
**CORR. 7038-2864-030**  
 Manicotto gomma entrata vaso 70X70  
 CORR. 7038-2864-030

**RUBBER MILK ENTRY SAC STYLE**  
 Manicotto entrata latte tipo SAC

**20180050** Ø50 *Corr. 252 42 627*  
**20180063** Ø63 *Corr. 252 42 625*  
**20180076** Ø76 *Corr. 252 42 628*  
**20180090** Ø90 *Corr. 252 42 629*



**00800519**  
**MILK INLET 52/79**  
 Manicotto latte D 52 x term vetro D 79  
 CORR. 98484607



**00800520**  
**MILK INLET Ø76 FOR SR**  
 Ingresso latte D. 76 mm per term. SR  
 CORR. 98484601



**00300246**  
**ADAPTER FOR JAR MILK ENTRY**  
**Ø60X53 MM. ESPECIALLY INDICATED FOR WF INSTALLATIONS**  
 Adattatore per entrata vaso terminale Ø60x53 mm. Particolarmente indicato per impianti WF



**REDUCTION FOR MILK ENTRY**  
 Riduzione entrata vaso

**00300762** 76/70  
**00300763** 76/51



**PLUG FOR RECEIVING JAR**  
 Tappo chiusura vaso terminale

**20096400** Ø 59  
**20096480** Ø 76



**00300174**  
 Corr. 99758101  
**ROUND GASKET FOR DL JAR**  
 Guarnizione tonda per vaso terminale DL



**00300175**  
 Corr. 96564001  
**LOWER GASKET FOR PE 1800 DL GLASS JAR (25/50 LT)**  
 Guarnizione inferiore per vaso terminale DL in vetro PE 1800 (25/50 lt)



**20150488**  
 Corr. 96635902  
**S/S SPRING FOR DELAVAL RECORDER**  
 Molla per scarico vaso Delaval



**00800263**  
**BALL FOR DL SANITARY TRAP**  
 Pallina per sanitario DL  
 CORR. 95618901



**00800158**  
**HANDLE FOR SERVOSWITCH FITT. DL**  
 Levetta scarico DL  
 CORR. 96635601



**00800192**  
**SPRAYER FOR SANITARY TRAP,**  
**CORR. 99754101**  
 Spruzzatore x sanitario autopulente, corr. 99754101







**00300318**

Corr. 95072301

**RUBBER REDUCTION SOCKET 38-32 MM DL TYPE**

Riduzione gomma 38-32 mm tipo DL



**00800250**

**SANITARY TRAP BODY**

Corpo sanitario autopulente CORR. DL 995762-01

**00800251**

**SANITARY TRAP GASKET**

Guarnizione sanitario autopulente CORR. DL 995776-01



**00800260**

**COMPLETE SANITARY TRAP DL ST, CORR. 99961981**

Sanitario completo tipo DL, CORR. 99961981



**00800259**

**SANITARY TRAP LID FOR DL, CORR. 99576301**

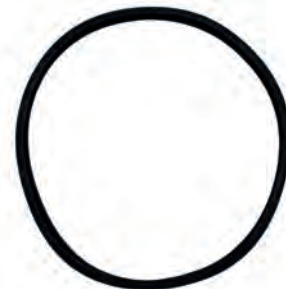
Coperchio sanitario DL, CORR. 99576301



**00800266**

**BALL FOR SANITARY TRAP  
(PSU+RUBBER) CORR. 92724880**

Pallina sanitario DL (psu+gomma), CORR. 92724880



**00800262**

**MAIN GASKET FOR SANITARY TRAP**

Guarnizione grande per sanitario DL  
CORR. 99583701



**00800499**

**RUBBER LID FOR DL SANITARY TRAP  
25/50 LT.**

Coperchio gomma sanitario 25/50 LT  
CORR. DL 95948180



**20150903**

**DIAPHRAGM DAIRYMASTER STYLE  
CORR. RJ 09 FOR JAR DRAINVALVE**

Membrana tipo DairyMaster  
CORR. RJ 09 per scarico vaso